

# 5MP HD IR VF Dome Network Camera

IPC3535LB-ADZK-H



## Features

- High quality image with 5MP, 1/2.7"CMOS sensor
- 5MP (2880\*1620)@ 25/20fps; 4MP (2560\*1440)@ 25/20fps; 3MP (2304\*1296) @30/25fps; 2MP (1920\*1080) @30/25fps;
- Ultra 265, H.265, H.264, MJPEG
- 120dB true WDR technology enables clear image in strong light scene
- Support 9:16 Corridor Mode
- Smart IR, up to 40m (131ft) IR distance
- Supports 512 G Micro SD card
- IP67 protection
- IK10 protection
- Support PoE power supply
- 3-Axis

## Specifications

|       |                  |
|-------|------------------|
| Model | IPC3535LB-ADZK-H |
|-------|------------------|

**Camera**

|                   |   |
|-------------------|---|
| Max Resolution    | 5 MP  |
| Sensor            | 1/2.7" CMOS                                       |
| Min. Illumination | Colour:0.001 lux (F1.6, AGC ON)<br>0 lux with IR  |
| Day/Night         | IR-cut filter with auto switch (ICR)              |
| Shutter           | Auto/Manual, 1 ~ 1/100000s                        |
| Adjustment Angle  | Pan: 3° ~ 360°, Tilt: 0° ~ 70°, Rotate: 3° ~ 360° |
| S/N               | >52 dB  |
| WDR               | 120 dB  |

**Lens**

|                   |              |
|-------------------|--------------|
| Focal Length      | 2.8 to 12 mm |
| Iris Type         | Fixed        |
| Iris              | F1.6         |
| Field of View (H) | 96.4°~32.7°  |
| Field of View (V) | 51.3°~18.6°  |
| Field of View (D) | 101.2°~37.2° |

**DORI**

|                           |                                |
|---------------------------|--------------------------------|
| DORI Distance (Lens)      | 2.8mm, 12mm                    |
| DORI Distance (Detect)    | 63m(206.7ft), 270.0m(885.8ft)  |
| DORI Distance (Observe)   | 25.2m(82.7ft), 108.0m(354.3ft) |
| DORI Distance (Recognize) | 12.6m(41.3ft), 54.0m(177.2ft)  |
| DORI Distance (Identify)  | 6.3m(20.7ft), 27.0m(88.6ft)    |

**Illuminator**

|                            |                 |
|----------------------------|-----------------|
| Supplemental Light         | IR              |
| Illumination Distance (IR) | 40 m (131.2 ft) |
| Wavelength                 | 850 nm          |
| IR On/Off Control          | Auto/Manual     |

**Video**

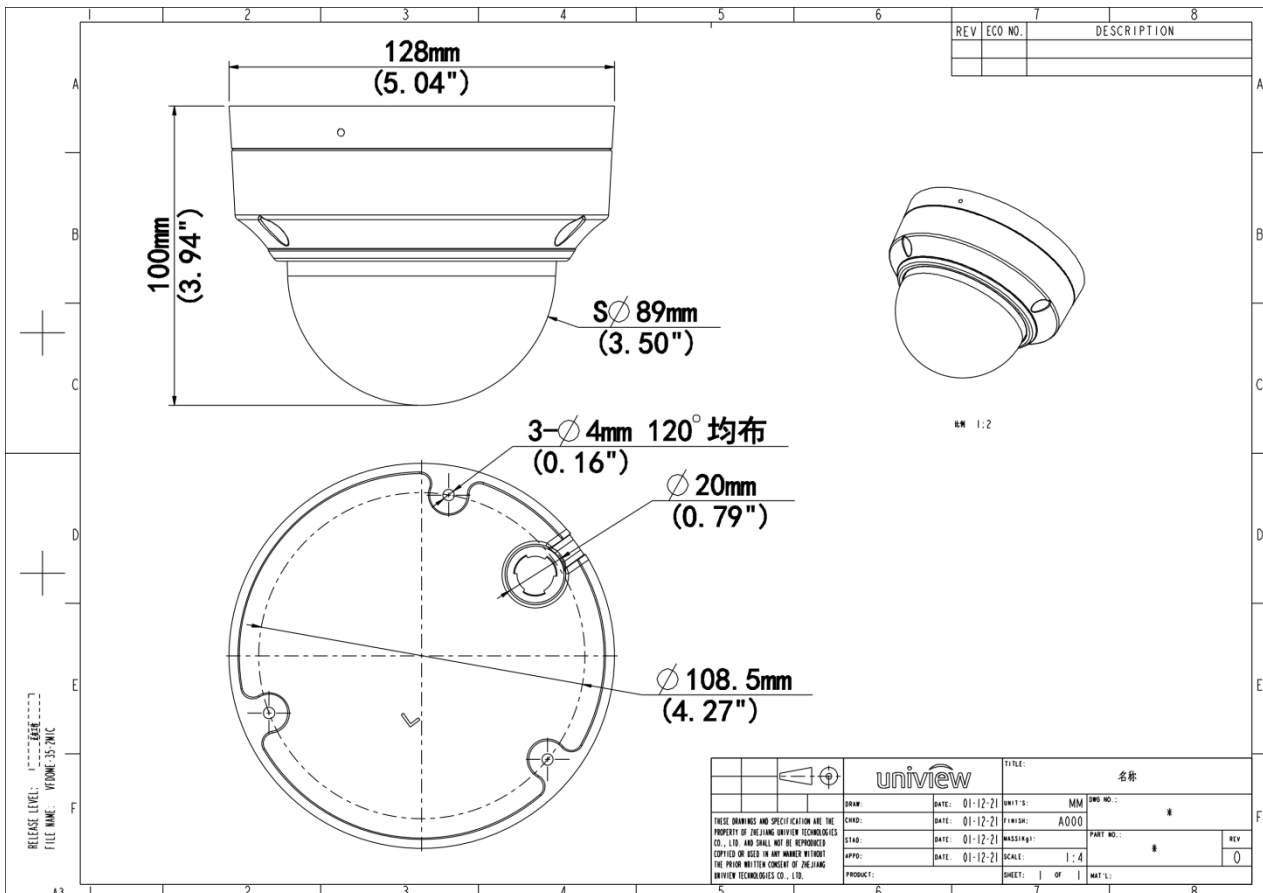
|                    |  |
|--------------------|--|
| Video Compression  | Ultra 265, H.265, H.264, MJPEG               |
| H.264 Code Profile | Baseline profile, Main profile, High profile |

|                         |  |
|-------------------------|--|
| Frame Rate              | Main Stream: 5MP (2880*1620), Max 25fps;4MP (2560*1440), Max 25fps; 3MP (2304*1296), Max 30fps; 1080P (1920*1080), Max 30fps;<br>Sub Stream: 720P (1280*720), Max 30fps; D1 (720*576), Max 30fps; 640*360,Max 30fps; |
| Video Bit Rate          | 128 Kbps to 6144 Kbps  |
| U-code                  | Support  |
| OSD                     | Up to 4 OSDs   |
| Privacy Mask            | Up to 4 areas  |
| ROI                     | Support  |
| Video Stream            | Dual Streams   |
| <b>Image</b>            |  |
| White Balance           | Auto, Outdoor, Fine Tune, Sodium Lamp, Locked, Auto2   |
| Digital Noise Reduction | 2D/3D DNR  |
| Smart IR                | Support  |
| Flip                    | Normal, Flip Vertical, Flip Horizontal, 180°, 90° Clockwise, 90° Anti-clockwise  |
| Dewarping               | N/A  |
| HLC                     | Support  |
| BLC                     | Support  |
| Defog                   | Digital Defog  |
| <b>Events</b>           |  |
| Basic Detection         | Motion Detection, Ultra Motion Detection, Tampering Alarm, Audio Detection, Cross line (based on human body detection), Intrusion (based on human body detection)  |
| General Function        | Watermark, IP Address Filtering, Access Policy, ARP Protection, RTSP Authentication, User Authentication, HTTP Authentication  |
| <b>Audio</b>            |  |
| Audio Compression       | G.711U, G.711A   |
| Audio Bitrate           | 64 Kbps  |
| Two-way Audio           | N/A  |
| Suppression             | Support  |
| Sampling Rate           | 8 kHz  |
| <b>Storage</b>          |  |
| Edge Storage            | Micro SD, up to 512 GB   |
| Network Storage         | ANR, NAS (NFS)   |

| Network                |  |
|------------------------|--|
| Protocols              | IPv4, IGMP, ICMP, ARP, TCP, UDP, DHCP, RTP, RTSP, RTCP, RTMP, DNS, DDNS, NTP, FTP, UPnP, HTTP, HTTPS, SMTP, SSL/TLS, QoS, SNMP   |
| Compatible Integration | ONVIF (Profile S, Profile G, Profile T),<br>API, SDK   |
| User/Host              | Up to 32 users, 2 user levels: administrator and common user   |
| Security               | Password Protection, Strong Password, HTTPS Encryption, Export Operation Logs, Basic and Digest Authentication for RTSP, Digest Authentication for HTTP, TLS 1.2, WSSE and Digest Authentication for ONVIF |
| Client                 | UNV-Link, UNV-Link Pro, EZStation  |
| Web Browser            | Plug-in required live view: IE 10+, Chrome 45+, Firefox 52+, Edge 79+, Plug-in free live view: Chrome 57+, Firefox 58+, Edge 16+   |
| Interface              |  |
| Audio I/O              | N/A  |
| Alarm I/O              | N/A  |
| Serial Port            | N/A  |
| Built-in Mic           | Support  |
| Built-in Speaker       | N/A  |
| WIFI                   | N/A  |
| Network                | 1 × RJ45 10 M/100 M Base-TX Ethernet   |
| Video Output           | N/A  |
| Certification          |  |
| EMC                    | CE-EMC (EN 55032, EN 61000-3-3, EN IEC 61000-3-2, EN 55035)<br>FCC (FCC 47 CFR part15 B)   |
| Safety                 | CE LVD (EN 62368-1)<br>CB (IEC 62368-1)<br>UL/CUL (UL 62368-1, CAN/CSA C22.2 No. 62368-1)  |
| Environment            | CE-RoHS (2011/65/EU;(EU)2015/863); WEEE (2012/19/EU);  |
| Protection             | IP67 (IEC 60529)<br>IK10 (IEC 62262)   |
| General                |  |
| Power                  | DC 12V±25%, PoE (IEEE 802.3af)   |
| Power Consumption      | Max 8.0W   |

|                     |   |
|---------------------|---|
| Power Interface     | Ø5.5 mm coaxial power plug  |
| Dimensions          | Ø128 x 100mm (Ø5.0" x 3.9") (Ø x H)                                     |
| Weight              | 0.66kg(1.46lb)  |
| Material            | Metal + Plastic   |
| Working Environment | -30 °C to 60 °C (-22 °F to 140 °F), Humidity: ≤ 95% RH (non-condensing) |
| Storage Environment | -30 °C to 60 °C (-22 °F to 140 °F), Humidity: ≤ 95% RH (non-condensing) |
| Surge Protection    | 6 KV  |
| Reset Button        | Support   |
| Web Client Language | 4 Languages<br>English, Russian, Spanish, Vietnamese                    |

## Dimensions



## Accessories

TR-JB03-H-IN

Junction Box for Metal Turret Camera  
(Support wiring from behind)



TR-JB07/WM03-F-IN

Wall Mounting Assembling Bracket with Back Hole for 3 Inch Hemisphere



TR-WM03-B-IN

Wall Mounting Assembling Bracket for 3 Inch Hemisphere



TR-A01-IN

NPT 3/4" Waterproof Cable Gland



TR-UP06-IN

Universal Pole Mounting Bracket



TR-UC08-C

Bullet&Dome Corner Mounting Bracket



TR-SE24-IN

Dome Pendant Mounting Pole 200m



TR-SE24-A-IN

Dome Pendant Mounting Pole 500m



TR-CM24-IN

Dome Pendant Mounting Bracket(Indoor)



**Zhejiang Uniview Technologies Co., Ltd.**

No. 369, Xietong Road, Xixing Sub-district, Binjiang District, Hangzhou City, 310051, Zhejiang Province, China (Zhejiang) Pilot Free Trade Zone, China

Email: [overseasbusiness@uniview.com](mailto:overseasbusiness@uniview.com); [globalsupport@uniview.com](mailto:globalsupport@uniview.com)

<http://www.uniview.com>

©2023-2024 Zhejiang Uniview Technologies Co., Ltd. All rights reserved.

\*Product specifications and availability are subject to change without notice.

\*Despite our best efforts, technical or typographical errors may exist in this document. Uniview cannot be held responsible for any such errors and reserves the right to change the contents of this document without prior notice.