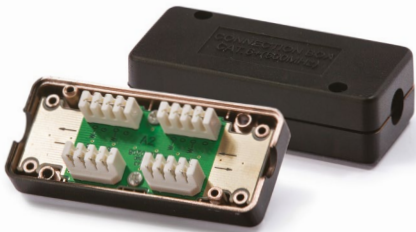


# LSA connection module

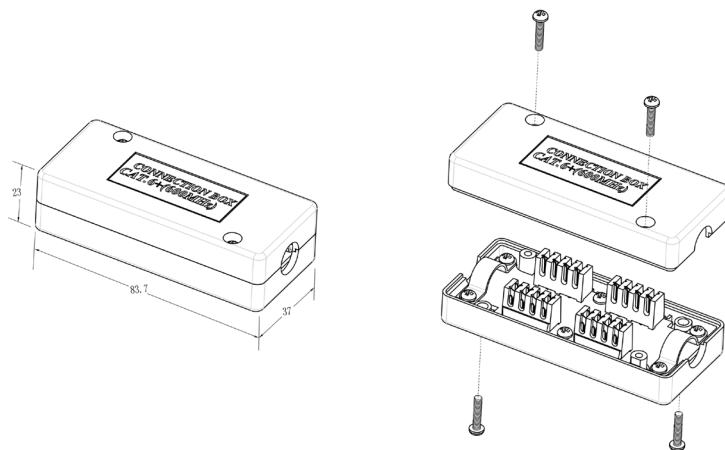
P/N: KE-AD-C61S

600  
MHz



## features

- designed for reconnecting damaged cables of Cat.7<sub>A</sub>, Cat.7, Cat.6<sub>A</sub>, Cat.6, Cat.5E cables or in case of necessity to extend the link
- LSA termination blocks ensuring cable connection
- guarantees a bandwidth of 600 MHz
- performance category depends on a specific topology and network configuration



## mechanical properties

Suitable for cables with	solid wire from 0,40 mm to 0,64 mm (AWG 26 - AWG 22) outer diameter from 4,5 to 7,9 mm
Insulation resistance	500 MΩ min
Contact resistance	20 mΩ max
Current rating	1,5 A
Test voltage	1000V @ 60Hz / 1min