

## DS-7608NXI-K2/8P 8-ch PoE 1U K Series AcuSense 4K NVR

### Key Feature

- Up to 8-ch IP camera inputs, plug & play with 8 power-over-Ethernet (PoE) interfaces
- H.265+/H.265/H.264+/H.264 video formats
- Up to 2-ch@12 MP or 3-ch@8 MP or 6-ch@4 MP or 12-ch@1080p decoding capacity
- Up to 80 Mbps incoming bandwidth
- Adopt Hikvision Acusense technology to minimize manual effort and security costs



### Smart Function

- All channels support Motion Detection 2.0
- 2-ch video analysis for human and vehicle recognition to reduce false alarm
- 1-ch facial recognition for video stream, or 4-ch facial recognition for face picture
- Smart search for the selected area in the video, and smart playback to improve the playback efficiency

### Professional and Reliability

- H.265+ compression effectively reduces the storage space by up to 75%
- Adopt stream over TLS encryption technology which provides more secure stream transmission service

### HD Video Output

- Provide independent HDMI and VGA outputs
- HDMI video output at up to 4K resolution

### Storage and Playback

- Up to 2 SATA interfaces for HDD connection (up to 10 TB capacity per HDD)
- 8-ch synchronous playback

### Network & Ethernet Access

- 8 independent PoE network interfaces
- 1 self-adaptive 10/100/1000 Mbps Ethernet interface
- Hik-Connect for easy network management

## ▪ Specification

| <b>Intelligent Analytics</b>               |   |
|--|---|
| AI by Device                               | Facial recognition, perimeter protection, motion detection 2.0  |
| AI by Camera                               | Facial recognition, perimeter protection, throwing objects from building, motion detection 2.0, ANPR, VCA   |
| <b>Facial Recognition</b>                  |   |
| Facial Detection and Analytics             | Face picture comparison, human face capture, face picture search  |
| Face Picture Library                       | Up to 16 face picture libraries, with up to 20,000 face pictures in total (each picture ≤ 4 MB, total capacity ≤ 1 GB)                            |
| Facial Detection and Analytics Performance | 1-ch, 8 MP  |
| Face Picture Comparison                    | 4-ch  |
| <b>Motion Detection 2.0</b>                |   |
| By Device                                  | All channels, 4 MP (when enhanced SVC mode is enabled, up to 8 MP) video analysis for human and vehicle recognition to reduce false alarm         |
| By Camera                                  | All channels  |
| <b>Perimeter Protection</b>                |   |
| By Device                                  | 2-ch, 4 MP (HD network camera, H.264/H.265) video analysis for human and vehicle recognition to reduce false alarm                                |
| By Camera                                  | All channels  |
| <b>Video and Audio</b>                     |   |
| IP Video Input                             | 8-ch  |
| Incoming Bandwidth                         | 80 Mbps   |
| Outgoing Bandwidth                         | 160 Mbps  |
| HDMI Output                                | 1-ch, 4K (3840 × 2160)/30 Hz, 2K (2560 × 1440)/60 Hz, 1920 × 1080/60 Hz, 1600 × 1200/60 Hz, 1280 × 1024/60 Hz, 1280 × 720/60 Hz, 1024 × 768/60 Hz |
| VGA Output                                 | 1-ch, 1920 × 1080/60 Hz, 1280 × 1024/60 Hz, 1280 × 720/60 Hz  |
| Video Output Mode                          | HDMI/VGA independent output   |
| CVBS Output                                | N/A   |
| Audio Output                               | 1-ch, RCA (2.0 Vp-p, 1 KΩ, using the audio input)   |
| Two-Way Audio                              | 1-ch, RCA (Linear, 1 KΩ)  |
| <b>Decoding</b>                            |   |
| Decoding Format                            | H.265/H.265+/H.264+/H.264   |
| Recording Resolution                       | 12 MP/8 MP/6 MP/5 MP/4 MP/3 MP/1080p/UXGA/720p/VGA/4CIF/DCIF/2CIF/CIF/QCIF  |
| Synchronous playback                       | 8-ch  |

|                            |  |
|----------------------------|--|
| Decoding Capability        | AI on: 1-ch@12 MP (30 fps)/2-ch@8 MP (30 fps)/4-ch@4 MP (30 fps)/8-ch@1080p (30 fps)<br>AI off: 2-ch@12 MP (30 fps)/3-ch@8 MP (30 fps)/6-ch@4 MP (30 fps)/12-ch@1080p (30 fps)   |
| Stream Type                | Video, Video & Audio   |
| Audio Compression          | G.711ulaw/G.711alaw/G.722/G.726/AAC  |
| <b>Network</b>             |  |
| Remote Connection          | 128  |
| API                        | ONVIF (profile S/G); SDK; ISAPI  |
| Compatible Browser         | IE11, Chrome V57, Firefox V52, Safari V12, Edge V89, or above version  |
| Network Protocol           | TCP/IP, DHCP, IPv4, IPv6, DNS, DDNS, NTP, RTSP, SADP, SMTP, SNMP, NFS, iSCSI, ISUP, UPnP™, HTTP, HTTPS   |
| Network Interface          | 1 RJ-45 10/100/1000 Mbps self-adaptive Ethernet interface  |
| <b>PoE</b>                 |  |
| Interface                  | 8, RJ-45 10/100 Mbps self-adaptive Ethernet interface  |
| Power                      | ≤ 80 W   |
| Standard                   | IEEE 802.3af/at  |
| <b>Auxiliary Interface</b> |  |
| SATA                       | 2 SATA interfaces  |
| Capacity                   | Up to 10 TB capacity for each HDD  |
| USB Interface              | Front panel: 1 × USB 2.0; Rear panel: 1 × USB 2.0  |
| Alarm In/Out               | 4/1  |
| <b>General</b>             |  |
| GUI Language               | English, Russian, Bulgarian, Hungarian, Greek, German, Italian, Czech, Slovak, French, Polish, Dutch, Portuguese, Spanish, Romanian, Turkish, Japanese, Danish, Swedish Language, Norwegian, Finnish, Korean, Traditional Chinese, Thai, Estonian, Vietnamese, Croatian, Slovenian, Serbian, Latvian, Lithuanian, Uzbek, Kazakh, Arabic, Ukrainian, Kyrgyz, Brazilian Portuguese, Indonesian |
| Power Supply               | 48 VDC, 2.5 A  |
| Consumption                | ≤ 15 W (without HDD, and PoE off)  |
| Working Temperature        | -10 °C to 55 °C (14 °F to 131 °F)  |
| Working Humidity           | 10% to 90%   |
| Dimension (W × D × H)      | 385 mm × 315 mm × 52 mm (15.2"× 12.4" × 2.0")  |
| Weight                     | ≤ 3 kg (without HDD, 6.6 lb.)  |
| <b>Certification</b>       |  |
| FCC                        | Part 15 Subpart B, ANSI C63.4-2014   |

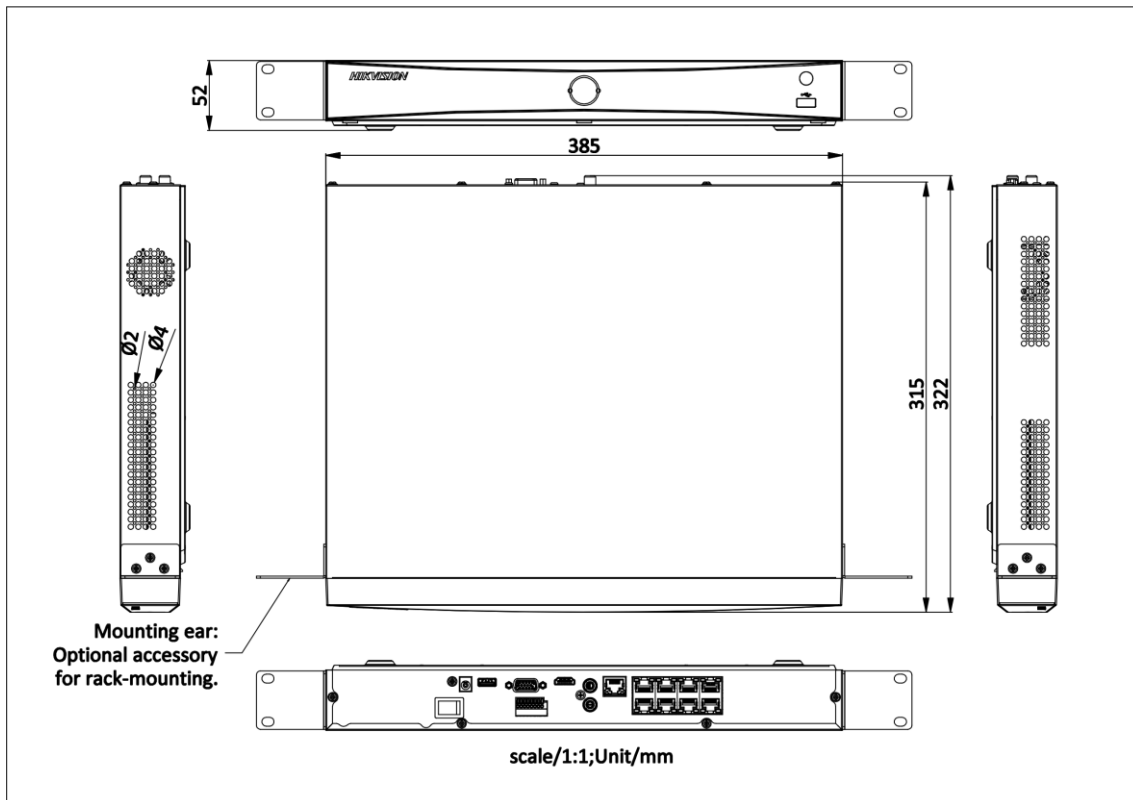
---

|                        |  |
|------------------------|--|
| CE                     | EN 55032: 2015, EN 61000-3-2, EN 61000-3-3, EN 50130-4, EN 55035: 2017 |
| Obtained Certification | CE, FCC, IC, CB, KC, UL, Rohs, Reach, WEEE, RCM, UKCA, LOA, BIS        |

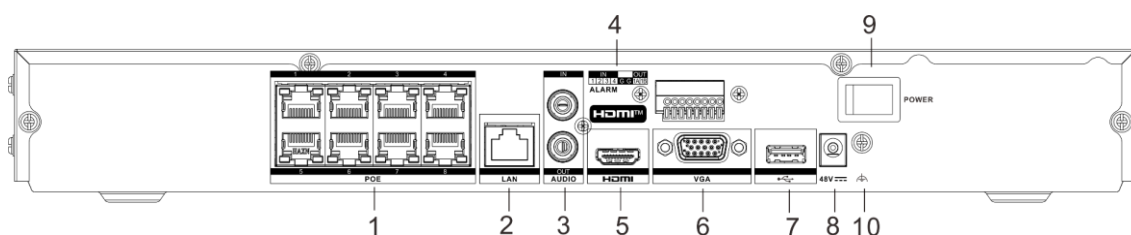
**Note:**

Facial recognition, motion detection 2.0 or perimeter protection cannot be enabled at the same time.

## Dimension



## Physical Interface



| No. | Description                          | No. | Description   |
|-----|--------------------------------------|-----|---------------|
| 1   | Network interfaces with PoE function | 6   | VGA interface |
| 2   | LAN network interface                | 7   | USB interface |
| 3   | AUDIO IN and AUDIO OUT               | 8   | Power supply  |
| 4   | ALARM IN and OUT                     | 9   | Power switch  |
| 5   | HDMI interface                       | 10  | GND           |

## Available Model

DS-7608NXI-K2/8P

### Headquarters

No.555 Qianmo Road, Binjiang District,  
Hangzhou 310051, China  
T +86-571-8807-5998  
www.hikvision.com



Follow us on social media to get the latest product and solution information.

