

COPYRIGHT ©Hangzhou EZVIZ Network Co.,Ltd. and/or Guangdong Greenway Technology Co., Ltd.. Any and all information, including, among others, wordings, pictures, graphs are the properties of Hangzhou EZVIZ Network Co., Ltd. (hereinafter referred to as “EZVIZ”) and/or Guangdong Greenway Technology Co., Ltd. (hereinafter referred to as “Greenway”). This user manual (hereinafter referred to as “the Manual”) cannot be reproduced, changed, translated, or distributed, partially or wholly, by any means, without the prior written permission of EZVIZ and Greenway. Unless otherwise stipulated, EZVIZ and/or Greenway do not make any warranties, guarantees or representations, express or implied, regarding to the Manual.


About the Product

The products described in this Manual are manufactured by Greenway, which solely and independently assumes all responsibilities and risks related to the original design and the quality of the Product. EZVIZ is the seller of this product, as well as the brand owner for marketing promotion. For the convenience of users, EZVIZ may also provide users with certain after-sales consulting and support services, which will be subject to the scope stated in this Manual.

About this Manual

The Manual includes instructions for using and managing the product. Pictures, charts, images and all other information hereinafter are for description and explanation only. The information contained in the Manual is subject to change, without notice, due to firmware updates or other reasons. Please find the latest version in the EZVIZ website (<http://www.ezviz.com>).

Trademarks Acknowledgement

EZVIZ™, ™, and other EZVIZ’s trademarks and logos are the properties of EZVIZ in various jurisdictions, and EZVIZ hereby authorizes Greenway to use these trademarks on the Products. Other trademarks and logos mentioned below are the properties of their respective owners.

Legal Disclaimer

TO THE MAXIMUM EXTENT PERMITTED BY APPLICABLE LAW, THE PRODUCT DESCRIBED, WITH ITS HARDWARE, SOFTWARE AND FIRMWARE, IS PROVIDED “AS IS”, WITH ALL FAULTS AND ERRORS, AND EZVIZ AND/OR GREENWAY MAKES NO WARRANTIES, EXPRESS OR IMPLIED, INCLUDING WITHOUT LIMITATION, MERCHANTABILITY, SATISFACTORY QUALITY, FITNESS FOR A PARTICULAR PURPOSE, AND NON-INFRINGEMENT OF THIRD PARTY. IN NO EVENT WILL EZVIZ AND/OR GREENWAY, ITS DIRECTORS, OFFICERS, EMPLOYEES, OR AGENTS BE LIABLE TO YOU FOR ANY SPECIAL, CONSEQUENTIAL, INCIDENTAL, OR INDIRECT DAMAGES, INCLUDING, AMONG OTHERS, DAMAGES FOR LOSS OF BUSINESS PROFITS, BUSINESS INTERRUPTION, OR LOSS OF DATA OR DOCUMENTATION, IN CONNECTION WITH THE USE OF THIS PRODUCT, EVEN IF EZVIZ AND/OR GREENWAY HAS BEEN ADVISED OF THE POSSIBILITY OF SUCH DAMAGES.

TO THE MAXIMUM EXTENT PERMITTED BY APPLICABLE LAW, IN NO EVENT SHALL EZVIZ’S AND/OR GREENWAY’S TOTAL LIABILITY FOR ALL DAMAGES EXCEED THE ORIGINAL PURCHASE PRICE OF THE PRODUCT.

EZVIZ AND/OR GREENWAY DOES NOT UNDERTAKE ANY LIABILITY FOR PERSONAL INJURY OR PROPERTY DAMAGE AS THE RESULT OF PRODUCT INTERRUPTION OR SERVICE TERMINATION CAUSED BY: A) IMPROPER INSTALLATION OR USAGE OTHER THAN AS REQUESTED; B) THE PROTECTION OF NATIONAL OR PUBLIC INTERESTS; C) FORCE MAJEURE; D) YOURSELF OR THE THIRD PARTY, INCLUDING WITHOUT LIMITATION, USING ANY THIRD PARTY’S PRODUCTS, SOFTWARE, APPLICATIONS, AND AMONG OTHERS.

REGARDING TO THE PRODUCT WITH INTERNET ACCESS, THE USE OF PRODUCT SHALL BE WHOLLY AT YOUR OWN RISKS. EZVIZ AND/OR GREENWAY SHALL NOT TAKE ANY RESPONSIBILITIES FOR ABNORMAL OPERATION, PRIVACY LEAKAGE OR OTHER DAMAGES RESULTING FROM CYBER ATTACK, HACKER ATTACK, VIRUS INSPECTION, OR OTHER INTERNET SECURITY RISKS; HOWEVER, EZVIZ AND/OR GREENWAY WILL PROVIDE TIMELY TECHNICAL SUPPORT IF REQUIRED. SURVEILLANCE LAWS AND DATA PROTECTION LAWS VARY BY JURISDICTION. PLEASE CHECK ALL RELEVANT LAWS IN YOUR JURISDICTION BEFORE USING THIS PRODUCT IN ORDER TO ENSURE THAT YOUR USE CONFORMS TO THE APPLICABLE LAW. EZVIZ AND/OR GREENWAY SHALL NOT BE LIABLE IN THE EVENT THAT THIS PRODUCT IS USED WITH ILLEGITIMATE PURPOSES.

IN THE EVENT OF ANY CONFLICTS BETWEEN THE ABOVE AND THE APPLICABLE LAW, THE LATTER PREVAILS.

Table of Contents

IMPORTANT SAFETY INSTRUCTIONS	1
1. Attention	1
2. Charging Safety	1
3. Moving or Storage Instructions	1
4. Maintenance	1
5. WARNINGS	1
Overview	3
1. Package Contents	3
2. Basics	3
LCD Screen Guide	4
Recharging Your Power Station	5
1. AC Recharging	5
2. Solar Panel Recharging	5
3. Car Recharging	5
4. USB-C Recharging	5
Powering Your Devices	6
1. USB Charging	6
2. AC Charging	6
3. Car Socket Charging	6
Light	7
Specifications	7
Troubleshooting	8
Rechargeable Lithium ion Battery	9
INFORMATION FOR PRIVATE HOUSEHOLDS	9

IMPORTANT SAFETY INSTRUCTIONS

1. Attention

Do not carry this product on an airplane.

2. Charging Safety

1. Charge the product at an environmental temperature of 32°F to 104°F (0°C to 40°C). Ensure the environment is dry and ventilated. The charging voltage should not exceed the specified voltage range. Keep away from inflammable materials while charging.
2. Use a standard car charging cable, AC power cable, and other accessories to charge the product. Use of non-standard accessories may result in fire, electric shock, or other personal injuries.
3. After a long period of use, the product temperature may rise. Do not charge the product immediately and let the product cool to room temperature before charging.

3. Moving or Storage Instructions

1. The weight of the product is 3.62KG, beware of falling off and hitting when moving the product.
2. Store the product at an environmental temperature of -4°F to 113°F (-20°C to 45°C). The place where the product is stored should be kept dry and ventilated. The product should not be exposed to direct sunlight, fire, or a similar heat source.

4. Maintenance

1. Do not use chemicals or detergents to clean this product. If the surface or port of the product is dirty, wipe it with a piece of dry, soft cloth.
2. To extend the service life of the product, it is recommended to fully charge the product every 3 months.
3. The product and its accessories may contain some small parts. Please keep the product and its accessories out of the reach of children. Children may inadvertently damage the product and its accessories, or swallow small parts, causing suffocation or other safety hazards.

5. WARNINGS



When using this product, basic precautions should always be followed, including the following:

Read all the instructions before using the product.

- To reduce the risk of injury, close supervision is necessary when the product is used near children.
- Do not put fingers or hands into the product.
- Do not expose the product to rain or snow.
- Use of a power supply or charger not recommended or sold by the product manufacturer may result in a risk of fire or injury to persons.
- To reduce risk of damage to the electric plug and cord, pull the plug rather than the cord when disconnecting the product.
- Do not use the product in excess of its output rating. Overload outputs above rating may result in a risk of fire or injury to persons.
- Do not use the product that is damaged or modified. Damaged or modified batteries may exhibit unpredictable behavior resulting in fire, explosion or risk of injury.
- Do not operate the product with a damaged cord or plug, or a damaged output cable.
- Do not disassemble the product. Take it to a qualified service person when service or repair is required. Incorrect reassembly may result in a risk of fire or electric shock.
- Do not expose to fire or high temperatures. Exposure to fire or temperatures above 130°C may cause explosion.
- To reduce the risk of electric shock, unplug the power pack from the outlet before attempting any instructed servicing.
- **WARNING – RISK OF EXPLOSIVE GASES.**
To reduce risk of battery explosion, follow these instructions and those published by battery manufacturer and manufacturer of any equipment you intend to use in vicinity of the battery. Review cautionary marking on these products and on engine.

• PERSONAL PRECAUTIONS

- Be extra cautious to reduce risk of dropping a metal tool onto battery. It might spark or short-circuit battery or other electrical part that may cause explosion.
- When charging the internal battery, work in a well ventilated area and do not restrict ventilation in any way.
- Under abusive conditions, liquid may be ejected from the battery; avoid contact. If contact accidentally occurs, flush with water. If liquid contacts eyes, additionally seek medical help. Liquid ejected from the battery may cause irritation or burns.
- Do not expose a power pack to fire or excessive temperature. Exposure to fire or temperature above 130°C may cause explosion.

- Have servicing performed by a qualified repair person using only identical replacement parts. This will ensure that the safety of the product is maintained.
- Attach output cables to a battery and chassis as indicated below. Never allow the output clamps to touch one another.
- : Alternating current.
- : Direct current.
- Warning: Indoor use only.
- Disposal of a battery into fire or a hot oven, or mechanically crushing or cutting of a battery that can result in an explosion.
- Leaving a battery in an extremely high temperature surrounding environment that can result in an explosion or the leakage of flammable liquid or gas.
- A battery subjected to extremely low air pressure that may result in an explosion or the leakage of flammable liquid or gas.
- Do not dispose or expose the product battery to fire, water or excessive heat.
- Do not smoke, strike a match, or cause sparks near the product.
- Do not use the product if the power cord or the battery cables are damaged in any way.
- Do not cover the operating product with any object as this may cause overheating.
- Do not overcharge the built-in battery.
- Before use, please check the ratings of all input/output ports.
- Only use specified, dedicated charger to re-charge the battery.
- Only charge the product battery in a well-ventilated, open area.
- The solar charging efficiency may vary based on different weather conditions.
- This product contains arcing or sparking parts, which should not be exposed to any flammable vapor.

Overview

1. Package Contents



Portable Power Station (x1)



Solar Panel Charging Cable (x1)



Car Charging Cable (x1)



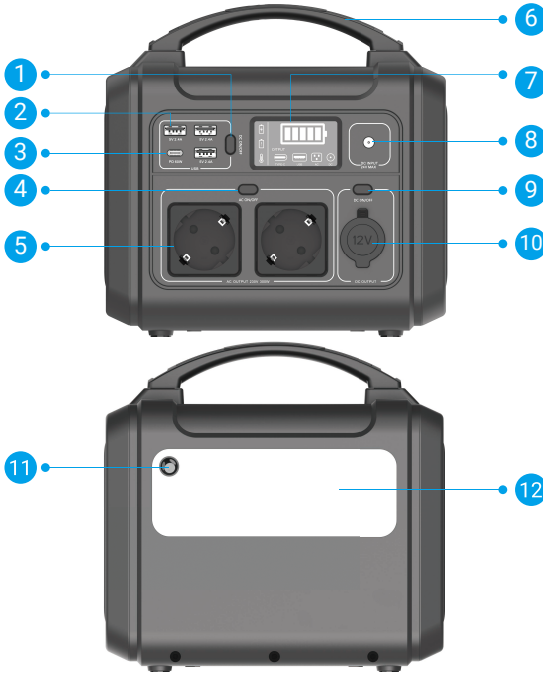
AC adapter (x1)



Quick Start Guide (x1)

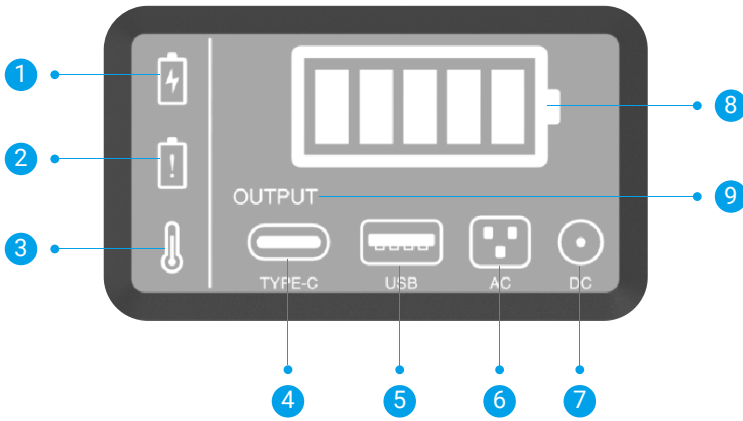
1 The portable power station's appearance is subject to the actual one you have bought.

2. Basics



- 1 USB-A Output Button
- 2 USB-A Output (x3)
- 3 USB-C Input/Output
- 4 AC Output Button
- 5 AC 230V Output (x2)
- 6 Handle
- 7 LCD Display
- 8 DC Input
- 9 DC Output Button
- 10 Car Socket Charging Output
- 11 Light Button
- 12 Light

LCD Screen Guide



LCD display and button function

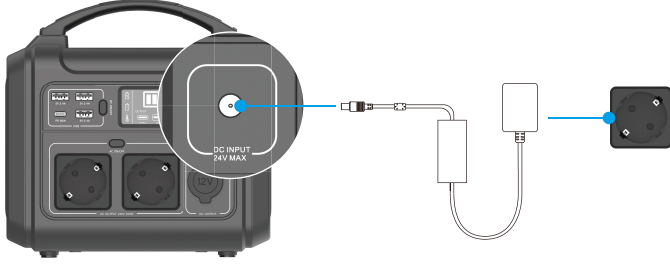
	Charging Indicator	Light when charging.
	Fault Indicator	[The following fault conditions]: Under voltage, over voltage, short circuit, over current protection.
	High Temperature Indicator	[High-Temperature Alert]: When this icon shows, indicates that the power station is charged or discharged at high temperature. i It is recommended to stop using the power station and leave it to cool down until the icon disappears.
 TYPE-C	USB-C Port Indicator	When this icon shows, indicates that there is charging or discharging at the USB-C port.
 USB	USB-A Output Port Indicator	Single press to turn on the USB output button and display the corresponding icon. i If there is no charging at this port in 30 seconds, the icon disappears automatically.
 AC	AC Output Port Indicator	Single press to turn on the AC output button and display the corresponding icon.
 DC	DC Output Port Indicator	Single press to turn on the DC output button and display the corresponding icon.
	Remaining Battery Indicator	20%-40%-60%-80%-100%
OUTPUT	Output port open Indicator	Turn on any output port displays the icon.

Recharging Your Power Station

- i** Note: Battery power may be slightly lost during transportation and storage.
Before using the power station for the first time, it is recommended to fully charge the power station.

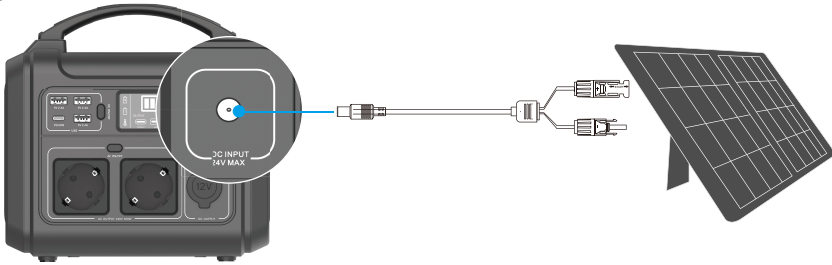
1. AC Recharging

Recharge your power station by connecting to a wall outlet with the AC adapter (included).



2. Solar Panel Recharging

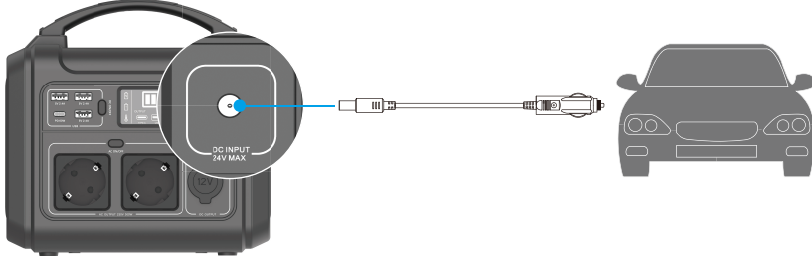
Recharge your power station by connecting to a EZVIZ solar panel with the solar panel charging cable (included).



- i** Please use EZVIZ solar panel to recharge the power station. For using a third-party solar panel, make sure the voltage output range is 5-24V. EZVIZ shall not be responsible or liable for any injuries to yourself or others, product damages or property damages caused by using other solar panels to recharge this device.

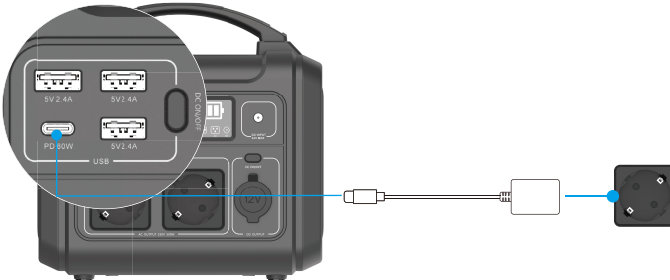
3. Car Recharging

Recharge your power station by connecting to a car's output port with the car charging cable (included).



4. USB-C Recharging

Recharge your power station by connecting to a wall outlet with a USB-C power adapter.

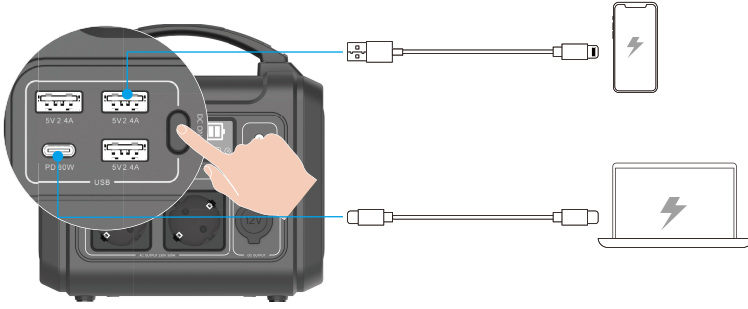


- i** The USB-C power adapter should be purchased separately.

Powering Your Devices

1. USB Charging

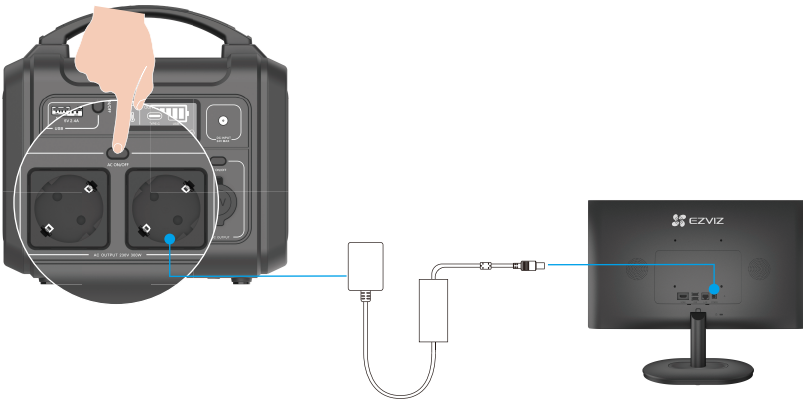
Turn on the USB-A output button and connect your devices to the USB output ports.



After using the power station, Please disconnect the wires on the power station, and press to turn off the USB-A output button to save power.

2. AC Charging

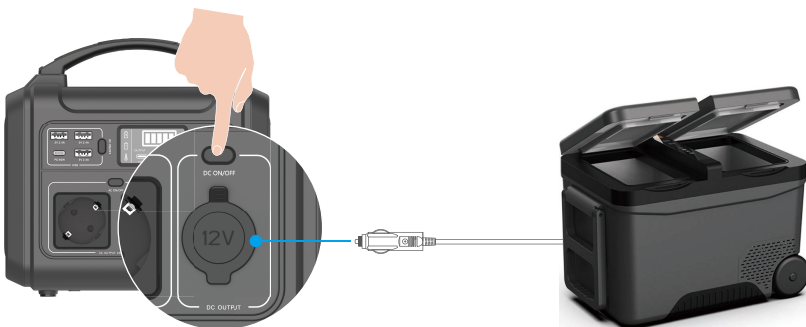
Turn on the AC output button and connect your devices to the AC output ports.



After using the power station, press to turn off the AC output button to save power.

3. Car Socket Charging

Turn on the DC output button and connect your devices to the Car socket charging output port.



After using the power station, press to turn off the DC output button to save power.

Light

Press the Light button once to switch on the light, and press again up to 2 times to switch between brightness. Press the Light button again to turn off the light.



Specifications

Specifications subject to change.

Model	CN032
Color	Black
Battery Type	Lithium-ion
Cell Capacity	313.17Wh(28.6Ah/10.95V)
Input	
DC5521 Port	5-24V \approx 2A 48W Max
USB-C Input PD	5V \approx 3A/9V \approx 3A/12V \approx 3A/15V \approx 3A/20V \approx 3A (60W Max)
Output	
USB-A Output	3 x 5V \approx 2.4A(Total 30W Max)
USB-C Output PD	5V \approx 3A/9V \approx 3A/12V \approx 3A/15V \approx 3A/20V \approx 3A (60W Max)
Car Socket Output	9~12.6V 10A
AC Output	2 x 210V~245V (50Hz) Pure Sine Wave
Total AC Output Power	300W Max
Operating Temperature	
Charging Temperature	32- 104° F (0-40°C)
Discharging Temperature	14-104° F(-10-40°C)

Power Distribution Form

	DC5521 Input	USB-C PD	AC Output	USB-A Output	Car Socket Output	Total power
Charge only	48W(Input)	/	/	/	/	48W(Input)
	/	60W(Input)	/	/	/	60W(Input)
Discharge only	/	60W(Output)	/	30W(Output)	120W(Output)	210W(Output)
	/	15W(Output)	300W(Output)	15W(Output)	/	330W(Output)
Charge and discharge at the same time	48W(Input)	/	/	30W(Output)	/	48W(Input) 30W(Output)
	/	60W(Input)	/	30W(Output)	/	60W(Input) 30W(Output)

Troubleshooting

Issue	Possible causes	Solutions
Power station cannot be charged	1.The connection between the power cable and the AC input port or mains socket is poor.	<ul style="list-style-type: none"> • Check if the cable or plug is broken or deformed. • Check the connection between the cable and the power station or socket. • Clean away any dust or dirt on the contact points of the socket.
	2.The connection between the car charging cable and the DC input port or car cigarette lighter is poor.	<ul style="list-style-type: none"> • Check if the cable or plug is broken or loose. • Check the connection between the cable and the power station or car cigarette lighter. • Clean away any dust or dirt on the contact points of the car cigarette lighter.
	3.The engine has not been turned on, so there is no power to the car cigarette lighter.	Start the engine of the car.
	4.The connection between the solar panel and the DC input port is poor.	<ul style="list-style-type: none"> • Check if the cable or connector is broken or loose. • Ensure that the connection is tight and secure.
Power station has no output	1.The power cable of the electrical device is not connected to the output port of the power station.	<ul style="list-style-type: none"> • Check if the power cable or the port of the electrical device is broken or deformed. • Ensure that the connection is tight and secure.
	2.The DC/AC output button is not turned on.	Turn on the DC/AC output button.
	3.The AC output/car socket output/USB-C output port can not discharge.	Check if the the power station is recharging, if so,disconnect the recharging.
Black screen (LCD)	The power station has run out of power.	Try to recharge the power station.
	Over Current Protection(OCP) mechanism of the battery is triggered.	

Rechargeable Lithium ion Battery

1. The battery type of the device: Portable battery.
2. The battery of this device is non-removable, which is risky to remove.

Chemical Name	Chemical Formula	CAS No.	Composition (in % by Weight)
Nickel-cobalt-manganese lithium	$\text{LiNi}_x\text{Co}_y\text{Mn}_{1-x-y}\text{O}_2$	346417-97-8	36.6
Graphite	C	7782-42-5	19.8
Polyvinylidene Fluoride(PVDF)	$(\text{CH}_2\text{-CF}_2)_n$	4937-79-9	0.4
CMC	$\text{C}_8\text{H}_{16}\text{NaO}_8$	9000-11-7	0.3
Acetylene black	C	1333-86-4	0.9
Styrene Butadiene rubber(SBR)	$(\text{C}_8\text{H}_8\text{-C}_4\text{H}_6)_x$	9003-55-8	0.4
PP	$(\text{C}_3\text{H}_6)_n$	9003-07-0	0.7
Lithium Hexafluorophosphate	LiF_6P	21324-40-3	2.0
Ethylene Carbonate(EC)	$\text{C}_3\text{H}_4\text{O}_3$	96-49-1	2.0
Ethyl methyl Carbonate	$\text{C}_4\text{H}_8\text{O}_3$	623-53-0	1.0
Dimethyl Carbonate	$\text{C}_3\text{H}_6\text{O}_3$	616-38-6	6.8
Copper	Cu	7440-50-8	7.6
Aluminum	Al	7429-90-5	3.5
Aluminum	Ni	7440-02-0	0.7
Iron	Fe	7439-89-6	17.3

INFORMATION FOR PRIVATE HOUSEHOLDS

1. Separate collection of waste equipment: Electrical and electronic equipment that has become waste is referred to as waste equipment. Owners of waste equipment must dispose of it separately from unsorted municipal waste. In particular, waste equipment does not belong in household waste, but in special collection and return systems.
2. Batteries and rechargeable batteries as well as lamps: Owners of waste equipment shall, as a rule, separate waste batteries and rechargeable batteries that are not enclosed in the waste equipment, which can be removed from the waste equipment without being destroyed, from the waste equipment before handing them in at a collection point. This does not apply if waste equipment is prepared for reuse with the participation of a public waste management authority.
3. Options for returning waste equipment: Owners of waste equipment from private households can return it free of charge to the collection points of the public waste management authorities or to the take-back points set up by manufacturers or distributors within the meaning of the Electrical and Electronics Equipment Law. Stores with a sales area of at least 400 m² for electrical and electronic equipment and those grocery stores with a total sales area of at least 800 m² that offer electrical and electronic equipment several times a year or on a permanent basis and make it available in the market are required to take it back. This also applies in the case of distribution using means of distance communication, if the storage and shipping areas for electrical and electronic equipment are at least 400 m² or the total storage and shipping areas are at least 800 m². Distributors shall, in principle, ensure take-back by providing suitable return facilities at a reasonable distance from the respective end user. The possibility of returning waste equipment free of charge exists for distributors who are obliged to take it back, among other things, if a new similar device that essentially fulfills the same functions is delivered to an end user.
4. Privacy Notice: Waste equipment often contains sensitive personal data. This applies in particular to devices of information and telecommunications technology such as computers and smartphones. In your own interest, please note that each end user is responsible for deleting the data on the waste equipment to be disposed of.
5. Meaning of the icon "crossed-out wheelee bin": The icon of a crossed-out wheelee bin regularly depicted on electrical and electronic equipment indicates that the respective device is to be collected separately from unsorted municipal waste at the end of its service life.