

PRODUCT TECHNICAL DATASHEET

R85/60EAS

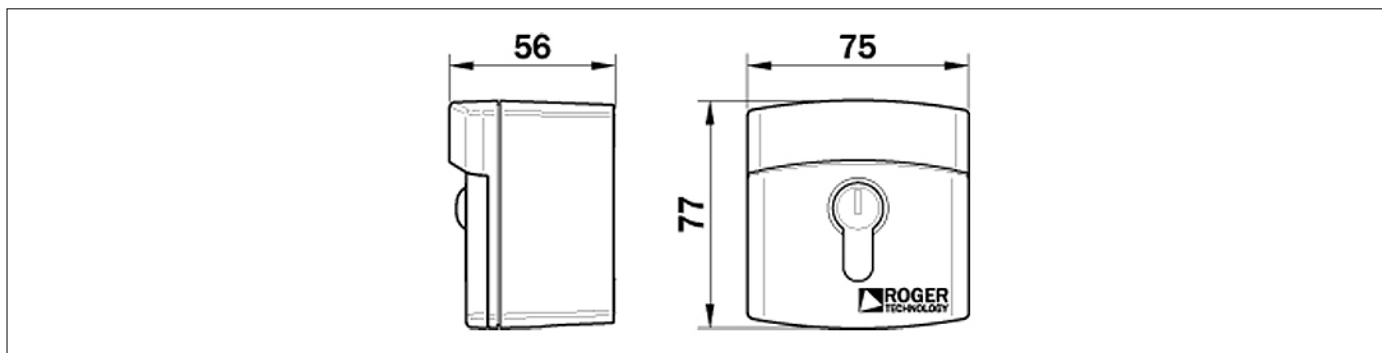


CODE	DESCRIPTION	PCS/PALLET
R85/60EAS	External selector made in aluminium with standard cylinder.	

PRODUCT TECHNICAL SPECIFICATIONS

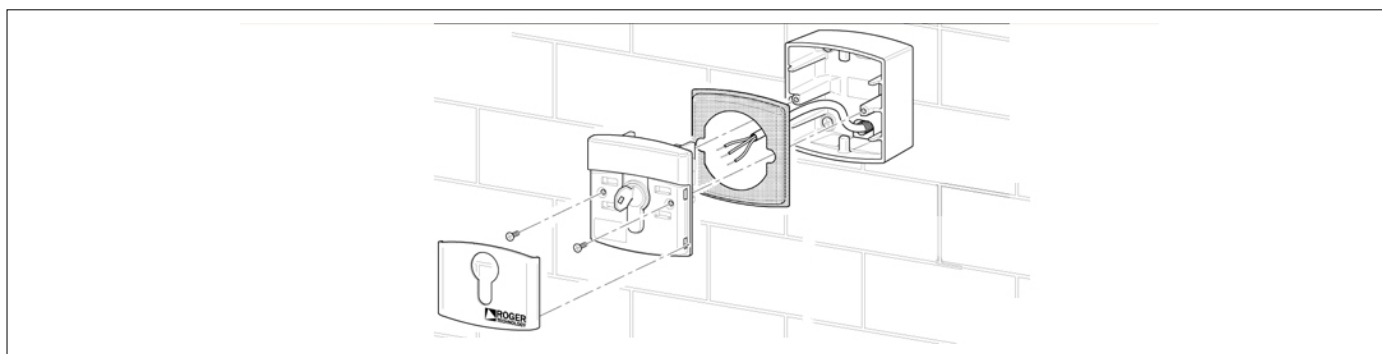
Cylinder	Standard
Standard power	24V 1A
Operating temperature	-20+55°C
Protection level	IP54
Material	Aluminum
Installation Type	External
Maximum dimension product in mm (L x W x H)	75 x 77 x 56
Product weight packed (Kg)	0,3

PRODUCT DIMENSIONS AND PREPARING FOR INSTALLATION



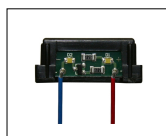
DIMENSIONS

PRODUCT PREPARING FOR INSTALLATION



PREDISPOSITION FOR STANDARD INSTALLATION

PRODUCT ACCESSORIES



R85/60EI/LED
Light LED for series R85
selector.