

PRODUCT TECHNICAL DATASHEET

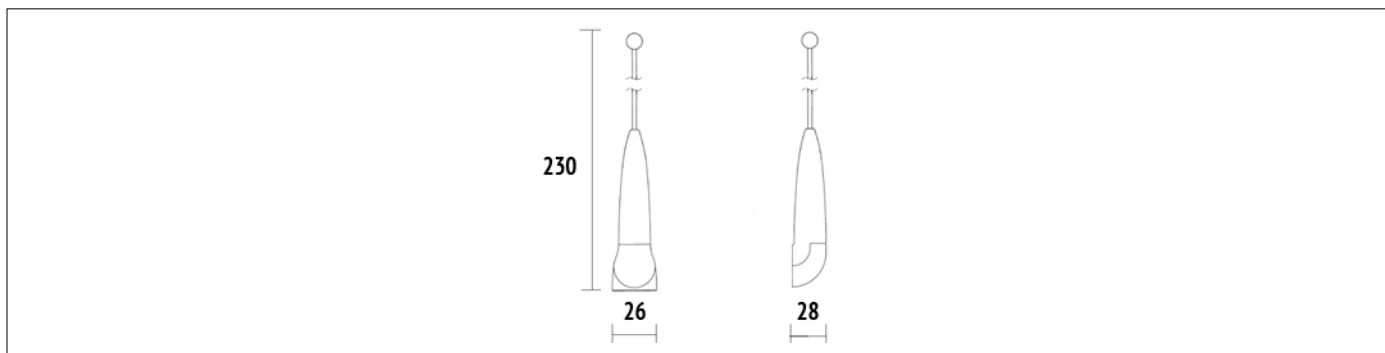
R91/AN1/LR1



| CODE | DESCRIPTION | PCS/PALLET |
|-------------|--|------------|
| R91/AN1/LR1 | Antenna for flashing light R92 series. | |

| PRODUCT TECHNICAL SPECIFICATIONS | |
|---|---------------|
| Operating temperature | -20+55°C |
| Tuning frequency | 433.920 MHz |
| Maximum dimension product in mm (L x W x H) | 26 x 26 x 227 |
| Product weight packed (Kg) | 0,05 |

PRODUCT DIMENSIONS AND PREPARING FOR INSTALLATION



DIMENSIONS