

4K 30x PTZ Camera

User's Manual

V1.0.0

Cybersecurity Recommendations

Mandatory actions to be taken towards cybersecurity

1. Change Passwords and Use Strong Passwords:

The number one reason systems get “hacked” is due to having weak or default passwords. It is recommended to change default passwords immediately and choose a strong password whenever possible. A strong password should be made up of at least 8 characters and a combination of special characters, numbers, and upper and lower case letters.

2. Update Firmware

As is standard procedure in the tech-industry, we recommend keeping NVR, DVR, and IP camera firmware up-to-date to ensure the system is current with the latest security patches and fixes.

“Nice to have” recommendations to improve your network security

1. Change Passwords Regularly

Regularly change the credentials to your devices to help ensure that only authorized users are able to access the system.

2. Change Default HTTP and TCP Ports:

- Change default HTTP and TCP ports for systems. These are the two ports used to communicate and to view video feeds remotely.
- These ports can be changed to any set of numbers between 1025-65535. Avoiding the default ports reduces the risk of outsiders being able to guess which ports you are using.

3. Enable HTTPS/SSL:

Set up an SSL Certificate to enable HTTPS. This will encrypt all communication between your devices and recorder.

4. Enable IP Filter:

Enabling your IP filter will prevent everyone, except those with specified IP addresses, from accessing the system.

5. Change ONVIF Password:

On older IP Camera firmware, the ONVIF password does not change when you change the system’s credentials. You will need to either update the camera’s firmware to the latest revision or manually change the ONVIF password.

6. Forward Only Ports You Need:

- Only forward the HTTP and TCP ports that you need to use. Do not forward a huge range of numbers to the device. Do not DMZ the device's IP address.
- You do not need to forward any ports for individual cameras if they are all connected to a recorder on site; just the NVR is needed.

7. Disable Auto-Login on SmartPSS:

Those using SmartPSS to view their system and on a computer that is used by multiple people should disable auto-login. This adds a layer of security to prevent users without the appropriate credentials from accessing the system.

8. Use a Different Username and Password for SmartPSS:

In the event that your social media, bank, email, etc. account is compromised, you would not want someone collecting those passwords and trying them out on your video surveillance system. Using a different username and password for your security system will make it more difficult for someone to guess their way into your system.

9. Limit Features of Guest Accounts:

If your system is set up for multiple users, ensure that each user only has rights to features and functions they need to use to perform their job.

10. UPnP:

- UPnP will automatically try to forward ports in your router or modem. Normally this would be a good thing. However, if your system automatically forwards the ports and you leave the credentials defaulted, you may end up with unwanted visitors.
- If you manually forwarded the HTTP and TCP ports in your router/modem, this feature should be turned off regardless. Disabling UPnP is recommended when the function is not used in real applications.

11. SNMP:

Disable SNMP if you are not using it. If you are using SNMP, you should do so only temporarily, for tracing and testing purposes only.

12. Multicast:

Multicast is used to share video streams between two recorders. Currently there are no known issues involving Multicast, but if you are not using this feature, deactivation can enhance your network security.

13. Check the Log:

If you suspect that someone has gained unauthorized access to your system, you can check the system log. The system log will show you which IP addresses were used to login to your system and what was accessed.

14. Physically Lock Down the Device:

Ideally, you want to prevent any unauthorized physical access to your system. The best way to achieve this is to install the recorder in a lockbox, locking server rack, or in a room that is behind a lock and key.

15. Connect IP Cameras to the PoE Ports on the Back of an NVR:

Cameras connected to the PoE ports on the back of an NVR are isolated from the outside world and cannot be accessed directly.

16. Isolate NVR and IP Camera Network

The network your NVR and IP camera resides on should not be the same network as your public computer network. This will prevent any visitors or unwanted guests from getting access to the same network the security system needs in order to function properly.

General






This document elaborates on product profile, structure, operation, device upgrade and technical parameters.

Models

UAV-GA-V-8030T

Safety Instructions

The following categorized signal words with defined meaning might appear in the Manual.

Symbol	Note
 Danger	It means highly potential danger. It will cause severe injury or casualties if it fails to avoid.
 Warning	It means moderate or low potential danger. It may cause slight or moderate injury if it fails to avoid.
 Caution	It means potential risk. It may cause device damage, data loss, weaker performance or other unpredictable consequences if it fails to avoid.
 Tip	It means that it can help to solve some problems or save time.
 Note	It means the additional information, which is the emphasis and supplement of the main body.

Revision History

No.	Version No.	Revision Content	Release Date
1	V1.0.0	First release	2018.4

Privacy Protection Notice

As the device user or data controller, you might collect personal data of others' such as face, fingerprints, car plate number, Email address, phone number, GPS and so on. You need to be in compliance with the local privacy protection laws and regulations to protect the legitimate rights and interests of other people by implementing measures include but not limited to: providing clear and visible identification to inform data subject the existence of surveillance area and providing related contact.

About the Manual

- The Manual is for reference only. If there is inconsistency between the Manual and the actual product, the actual product shall prevail.
- We are not liable for any loss caused by the operations that do not comply with the Manual.
- The Manual would be updated according to the latest laws and regulations of related regions. For detailed information, see the paper User's Manual, CD-ROM, QR code or our official website. If there is inconsistency between paper User's Manual and the electronic version, the electronic version shall prevail.
- All the designs and software are subject to change without prior written notice. The product updates might cause some differences between the actual product and the Manual. Please contact the customer service for the latest program and supplementary documentation.
- There still might be deviation in technical data, functions and operations description, or errors in print. If there is any doubt or dispute, please refer to our final explanation.
- Upgrade the reader software or try other mainstream reader software if the Guide (in PDF format) cannot be opened.
- All trademarks, registered trademarks and the company names in the Manual are the properties of their respective owners.
- Please visit our website, contact the supplier or customer service if there is any problem occurred when using the device.
- If there is any uncertainty or controversy, please refer to our final explanation.

Important Safeguards and Warnings

The following description is the correct application method of the device. Please read the manual carefully before use, in order to prevent danger and property loss. Strictly conform to the manual during application and keep it properly after reading.



Caution

- Don't touch the lens of PTZ camera directly. Use an air blower to blow away the dust or dirt on the lens surface.
- Don't drip or splash liquids onto the device; don't put around the device anything filled with liquids, in order to prevent liquids from flowing into the device.
- Please transport, use and store the device within allowed humidity and temperature range.
- Don't compress, vibrate violently or immerse the device during transportation, storage and installation.



Warning

- Use the standard components or accessories provided by manufacturer and make sure that the device is installed and fixed by professional engineers.
- Do not provide two or more power supply sources for the device; otherwise it might damage the device.

Table of Contents

Cybersecurity Recommendations	2
Foreword	V
Important Safeguards and Warnings	VII
1 Product Profile	1
1.1 Product Overview.....	1
1.2 Product Function	1
2 Device Structure	3
2.1 Product Dimensions	3
2.2 Structural Component	5
3 Device Operation	6
3.1 Device Installation.....	6
3.2 Picture Acquisition Mode	7
3.2.1 SD Card.....	7
3.2.2 Ground Control Station.....	7
4 Device Upgrade	9
5 Technical Parameters	11
6 FAQ	12

1.1 Product Overview

As the core of unmanned aircraft system, airborne PTZ adopts oriented vector control technology of permanent magnet motor rotor field, high-precision triaxial servo autostability technology and compact portable design.

With pitch, roll and course triaxial autostability function, this product is mounted on the aircraft to shoot videos. Users can read real-time video data via network, and dismantle SD card to read video files.

This product is mainly applied in multi-rotor drone to effectively prevent the effect of drone posture change and jitter on the video image, so PTZ camera provides clear and stable video images in all cases.

1.2 Product Function

Triaxial Autostability

When pitch, roll and course axes rotate or shake, PTZ base and camera gesture are able to keep stable, so video images are clear, without jittering.

Target Tracking

In a preset single scenario, PTZ camera can track a moving person or vehicle. Manually select a moving person or vehicle in the video, and track the target.

Rotation Mode

- Following mode: when the aircraft moves forward, backward, left and right horizontally, PTZ follows to rotate, so surveillance direction is always consistent with aircraft movement direction.
- Locking mode: PTZ doesn't rotate with the aircraft movement.

3D Positioning

Draw a circle on the remote control or click any zone in the surveillance image, within the allowed rotation angle range, the aircraft will keep this zone at the center of the screen, zoom in or zoom out this zone.

Storage Function

- Support SD card and support to resume transmission after recovering from network outage.
- Cyclic coverage of storage media.

Alarm Function

Through network, give an alarm about camera abnormality, such as memory damages.

OSD Setting

Set OSD info and position of video channel, image and composite image.

Power Supply

Support DC 24V power supply.

White Balance

- Auto white balance: be able to accurately reflect color condition of the target when ray of light changes.
- Partial white balance: adjust color condition of the target by reference to surroundings.

Auto Exposure

According to lighting and scenario, adjust exposure automatically; prevent overexposure or underexposure.

Auto Gain

In case of very low illumination, increase camera sensitivity automatically, enhance image signal output and thus obtain clear and bright images.

Auto Focus

According to the target distance, the camera adjusts lens focus distance automatically, so as to realize the clearest image of the target.

Optical Zoom

This device supports 30x optical zoom and 16x electronic zoom.

2.1 Product Dimensions

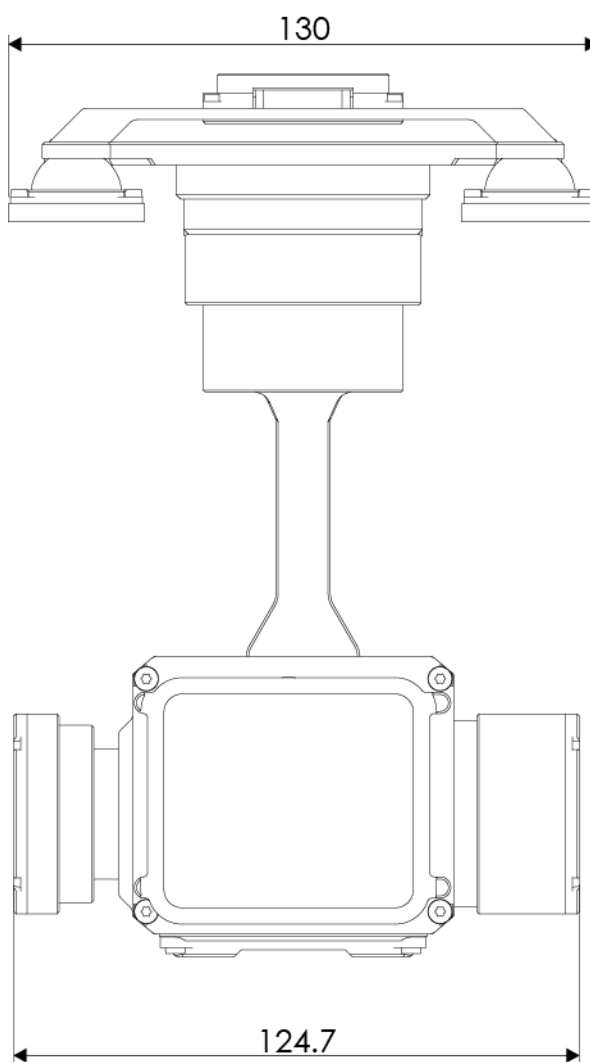


Figure 2-1 Front View (unit: mm)

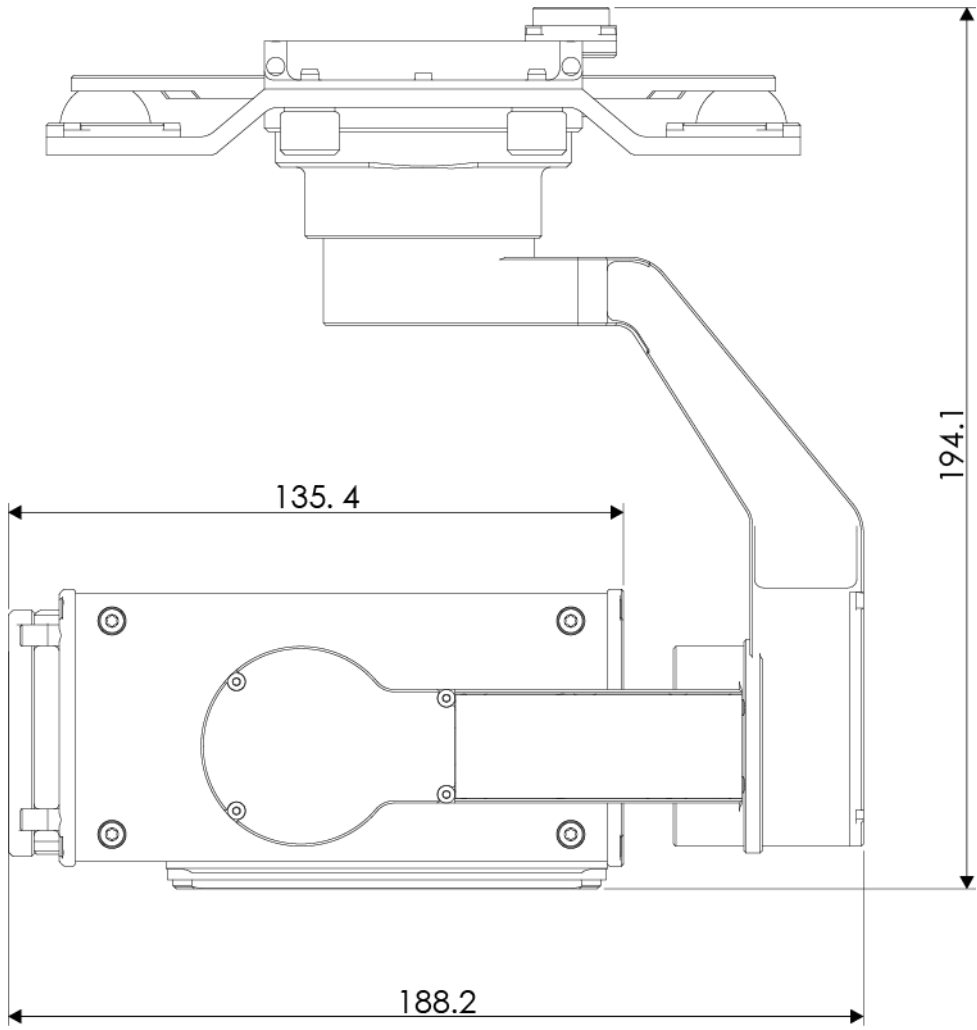


Figure 2-2 Side View (unit: mm)

2.2 Structural Component

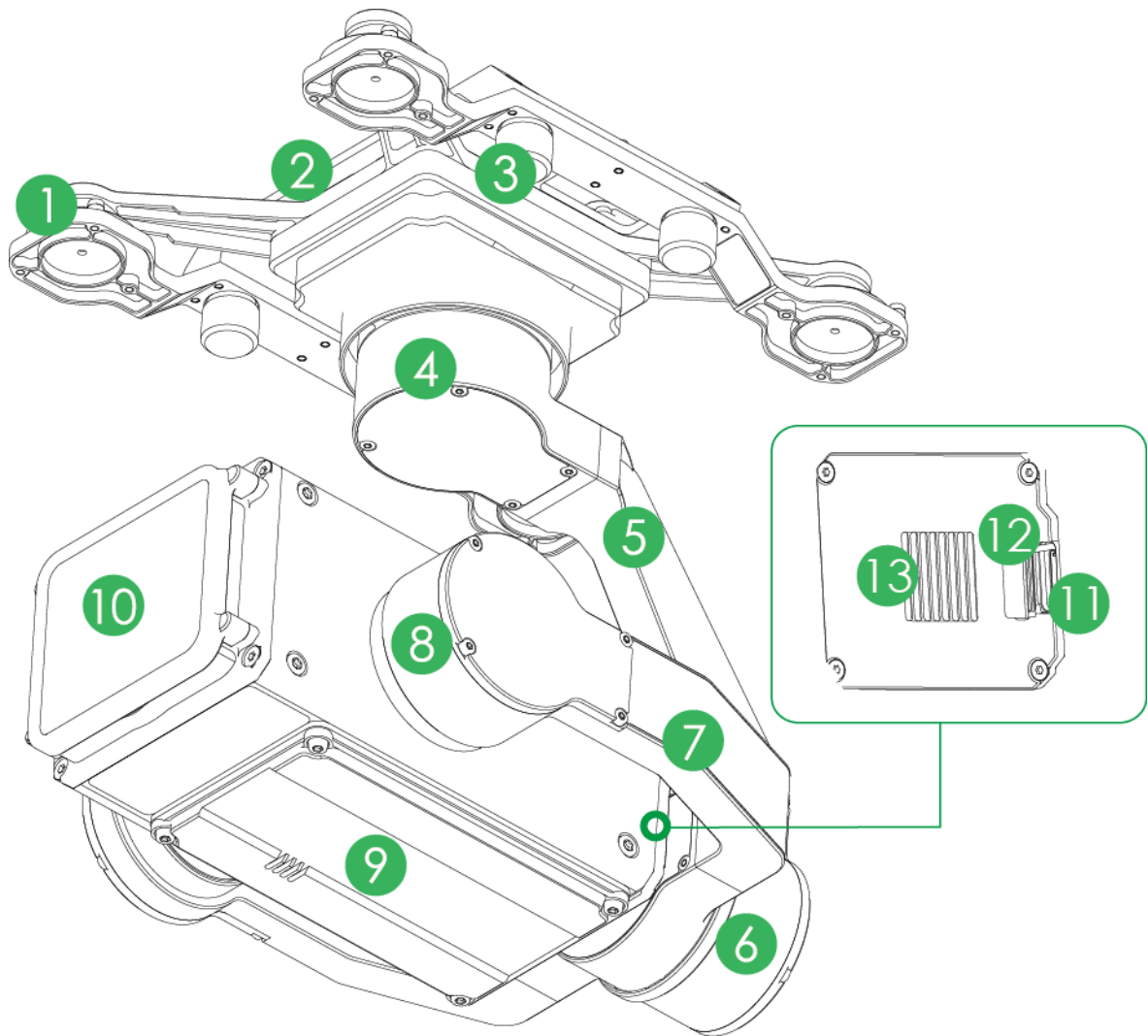


Figure 2-3

No.	Name	Function
1	Shock absorber ball	Reduce jitter of PTZ camera during flight; obtain clearer pictures.
2	Shock absorber board	
3	Installation screw	Fix PTZ camera onto the aircraft.
4	Yaw motor	Control horizontal rotation direction of the camera.
5	Yaw rotation arm	
6	Roll motor	Control rotation angle of roll axis.
7	Roll rotation arm	
8	Pitch motor	Control rotation angle of pitch axis.
9	Camera	Take pictures.
10	Lens	
11	SD card slot	Install SD card.
12	SD card plug	Cover outside the SD card slot is used to protect SD card slot.
13	Heat sink	Built-in heat sink is used for heat dissipation.

Table 2-1

3.1 Device Installation



This chapter explains device installation by taking NAVIGATOR X820 for example. Please refer to actual product.

Step 1 Insert data cable interface at the bottom of aircraft into the interface at the top of shock absorber board, as shown in Figure 3-1.

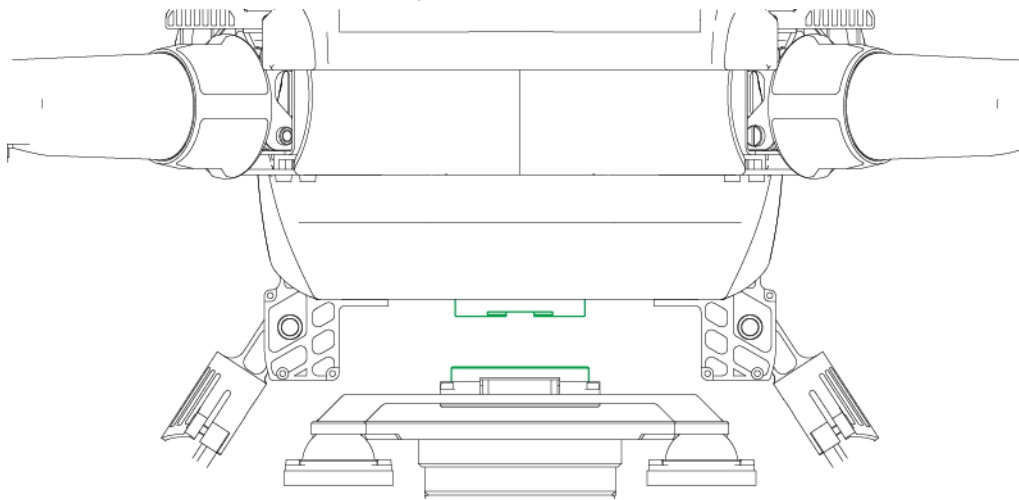


Figure 3-1

Step 2 Align 4 installation screws with bottom holes of the aircraft, and tighten them. Fix PTZ camera onto the aircraft, as shown in Figure 3-2.

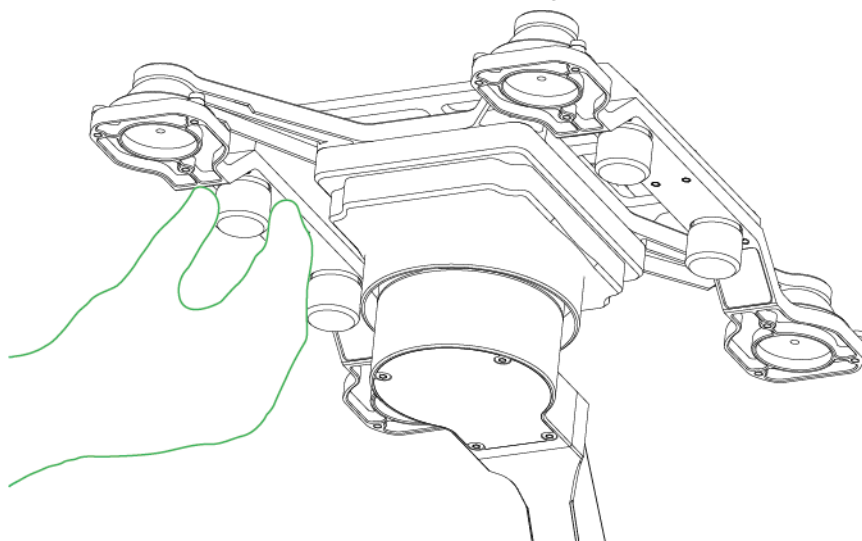


Figure 3-2

Step 3 Turn on power supply of the aircraft, and wait for IMU (Inertial Measurement Unit) calibration. After completing IMU calibration, the motor starts working while PTZ returns

to the center automatically.
Thus, PTZ camera has been installed completely.

3.2 Picture Acquisition Mode

This chapter mainly introduces how to acquire pictures from SD card and ground control station.

3.2.1 SD Card

Step 1 Open SD card plug with a hand, as shown in Figure 3-3.

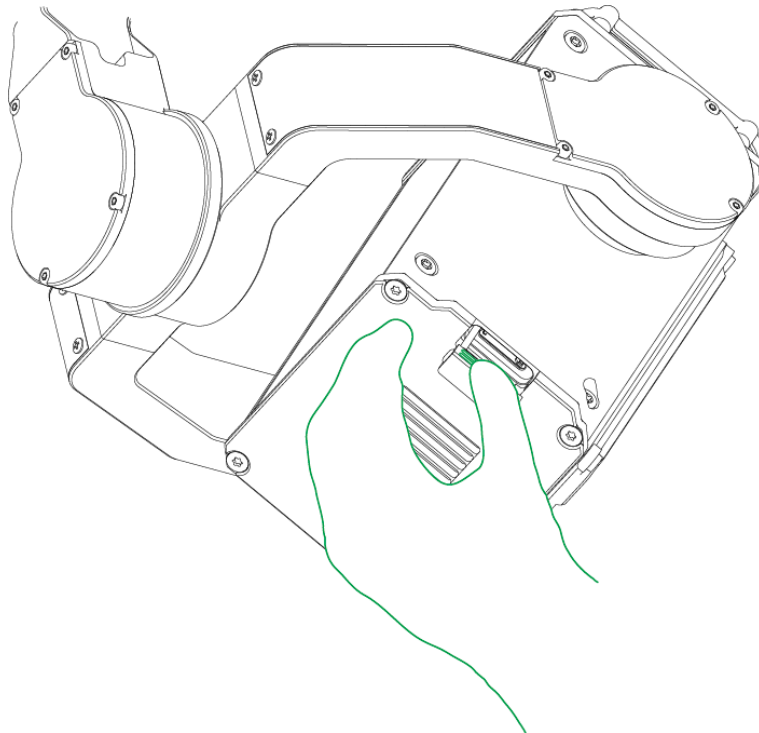


Figure 3-3

Step 2 Press SD card gently, and SD card will pop up. Pull out SD card.

Step 3 Insert SD card into card reader, and connect the card reader with computer.

With the card reader, copy videos in SD card to the computer, and save them.

3.2.2 Ground Control Station



- Ground control station and the device are in the same network segment by default, which need no configuration.
- One set of device has been paired before leaving factory, so the user doesn't need to pair again. If several devices are mixed and cannot be distinguished, please pair them before operation. For details, please refer to drone user's manual.

- Step 1 Turn on power supply of ground control station, remote control and aircraft.
Wireless module of the aircraft connects wireless module of ground control station and remote control automatically.
- Step 2 During flight, through wireless module of ground control station, view pictures of PTZ camera in a real-time way.

4 Device Upgrade



Caution

- This chapter only applies to camera upgrade.
- Only one device can be upgraded each time.



Note

In case of device disconnection during upgrade, as long as ConfigTool stays at the upgrade interface, the device will continue the last upgrade when it is connected with network again.

Precondition:

- Upgrade package has been obtained.
- PC has wireless network card.

Step 1 In PC, select “Start > Control Panel > Network and Internet > Connections”.

The system displays “Connections” interface, to search WLAN of ground control station.

Step 2 After finding “Network Name” on the “Pair” interface, enter corresponding “Password”. “Pair” interface of ground control station is shown in Figure 4-1.

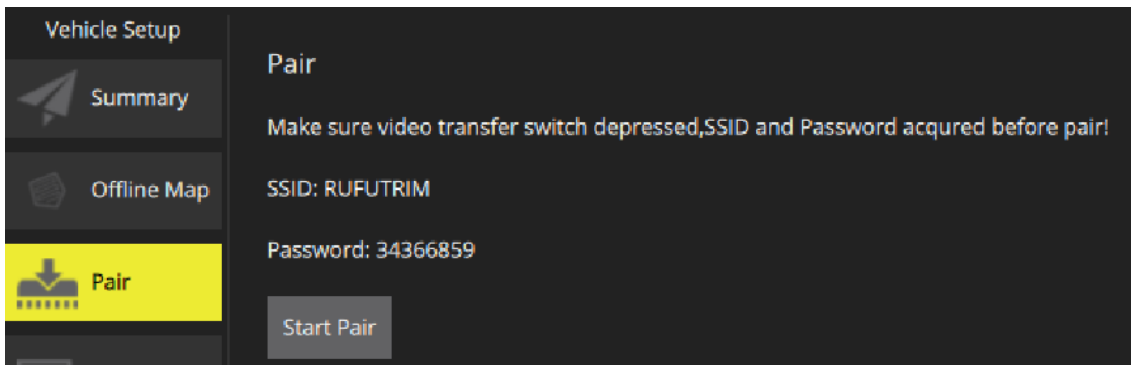



Figure 4-1

Step 3 Click “Join” to join WLAN of ground control station.

Step 4 In PC, double click “ConfigTool.exe” to open quick configuration tool.

Step 5 Click  and the system displays upgrade interface, as shown in Figure 4-2.

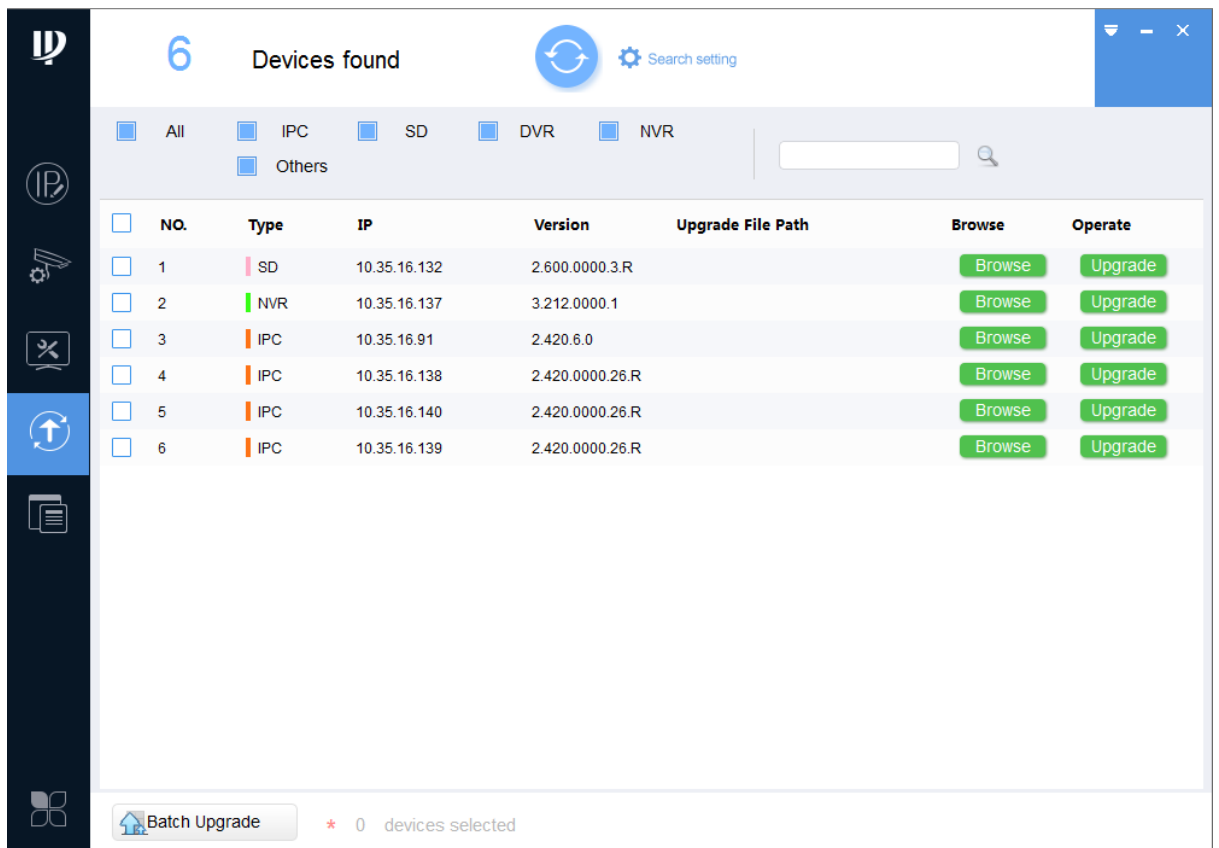


Figure 4-2

Step 6 Click “Open” corresponding to the device that shall be upgraded.

Step 7 Select upgrade file, as shown in Figure 4-3.

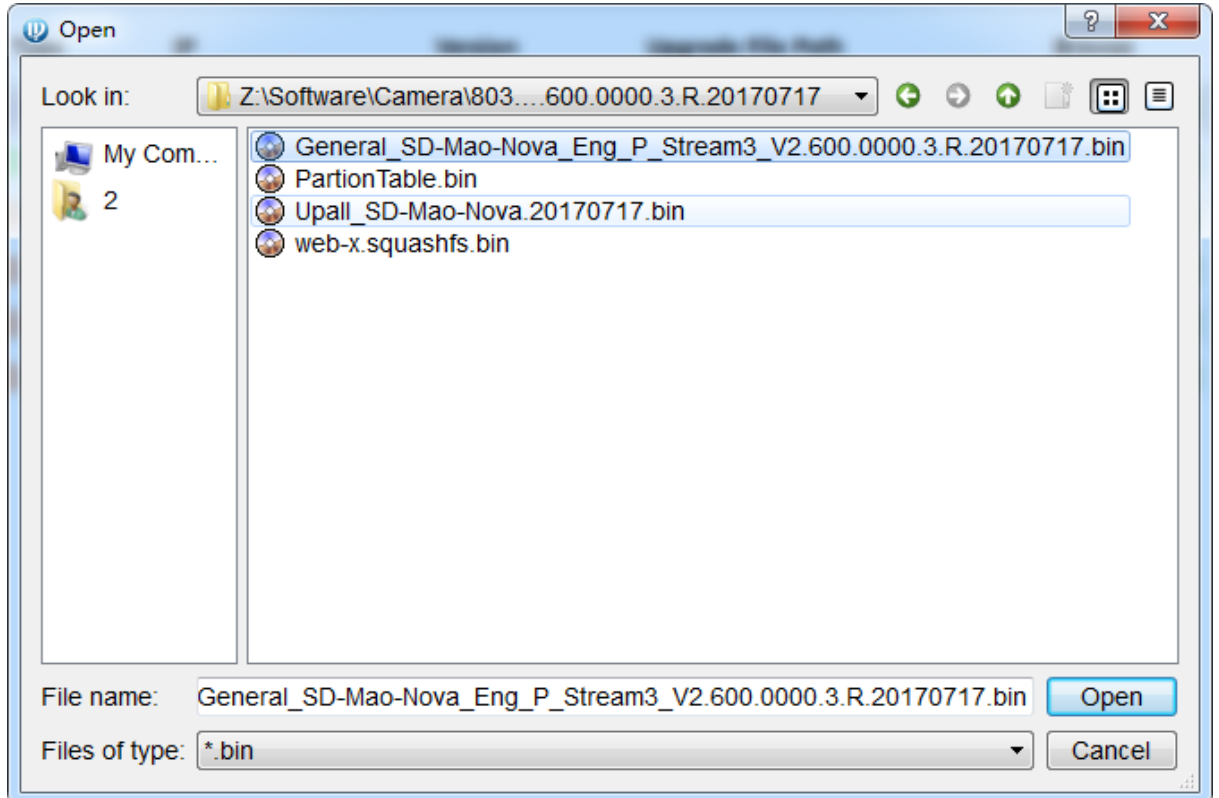


Figure 4-3

Step 8 Click “Upgrade”. The system starts upgrading and displays the progress.

5

Technical Parameters

Parameter	Description
Product Model	UAV-GA-V-8030T
Max. optical zoom of PTZ camera	30X
Max. electronic zoom of PTZ camera	16X
Pixel of PTZ camera	12MP
Field angle	Horizontal: 59°~2.4°
Focal length	6mm~180mm
Image resolution	4Kx3K
Digital noise reduction	3D
Minimum illumination	<ul style="list-style-type: none"> ● Color: 0.001Lux/F1.5 ● Black and white: 0.0005Lux/F1.5
Operating ambient temperature	- 20℃~+60℃
Total weight	1250g
Angle stabilization precision	±0.01°
Quantity of anti-jittering axis	3 axes
Pitch rotation range	- 90°~ + 45°
Roll rotation range	±90°
Course rotation range	±173°
Max. controllable angle speed of pitch axis	±130°/s
Max. controllable angle speed of course axis	±130°/s
PTZ dimension	194.1mm×188.2mm×130.0mm
PTZ function	Yaw following and yaw locking
Smart tracking	Available
3D positioning function	Available

Table 5-1

Points for Attention	Countermeasures
Hot plugging of SD card	In order to guarantee data integrity, please stop recording and snapshotting; wait for about 15s before pulling out the SD card. Otherwise, all data in SD card may be lost.
Read-write time limitation of SD card	Please don't set SD card to be storage medium of recording at fixed time. Otherwise, SD card may run out of read-write life and go wrong quickly.
Recommended SD card type	8GB, 16GB, 32GB and 128GB high-speed card.
Fail to pop up installation dialog box of WEB controls webrec.cab	Please set security level of IE browser to be "Low" and "ActiveX Plug-ins and Controls" to "Enable".

Table 6-1