

## DS-1604ZJ-BOX-Corner

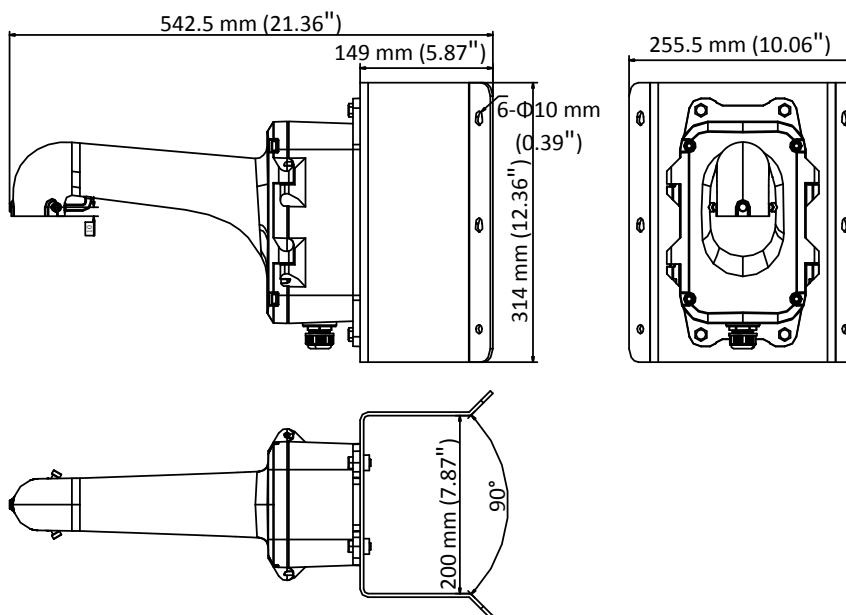
Corner Mounting Bracket for Speed Dome



### Feature

- Corner mounting bracket with the junction box
- Aluminum alloy and steel material with surface spray treatment
- Supports bottom outlet and back outlet
- Able to place the power adapter (AC 24 V, 3 A) in the junction box
- The hook for safety rope facilitates speed dome's installation

### Dimension



### Available Model

DS-1604ZJ-BOX-Corner

### Parameter

Model	DS-1604ZJ-BOX-Corner
Parameters	Corner Mounting Bracket for Speed Dome
Appearance	Hikvision White
Material	Aluminum Alloy and Steel
Dimension	542.5 mm × 255.5 mm × 200 mm (21.36" × 10.06" × 7.87")
Weight	6.2 Kg (13.67 lb.)

### Note

- The bracket should be installed on the flat surface.
- Waterproof rubber is necessary for the outdoor application.
- The wall must be capable of supporting at least 3 times as much as the total weight of the speed dome and the bracket.
- The bracket's maximum load capacity is 10 Kg (22 lb.).