

DHI-ASI8213Y-V3

Face Recognition Access Controller



- Aluminium alloy housing with wire-drawing treatment; IP65 (Apply silica gel to gaps between the device and the wall. Liquid sodium silicate is recommended. For details, see the quick start guide.)
- 10.1 inch LCD touch screen; resolution 1280×800
- With 2 MP wide-angle dual lens, white fill light, IR light, and WDR
- Support face, card and password unlock; unlock by period
- User data can be stored at the access controller; can hold 100, 000 face images and work without network
- Face-camera distance: 0.3m-2.0m
- Face verification accuracy $\geq 99.5\%$; face comparison speed $\leq 0.2s$ per person; low false recognition rate Support liveness detection

Technical Specification

System

Main Processor	Embedded Processor
Network Protocol	IPv4, RTSP, RTP, TCP, UDP, P2P
OSDP Protocol	Support
Interoperability	CGI
SDK	Support

Basic

Display	10.1 inch TFT screen
Screen Type	Capacitive touch screen
Screen Resolution	1280x800
Camera	2MP CMOS
WDR	120dB
Light Compensation	Auto whitelight fill light Auto IR fill light
Status Indicator Light	1 indicator lights. Red: Recognition failed; Green: Recognition succeeded; Blue: Standby mode
Voice Prompt	Support
Housing Material	PC+ABS; Aluminum alloy frame

Function

Unlock Mode	Card/Password/Face unlock Card, password, and face combination unlock
Card Reader Type	IC card
Period List	128

Holiday Period	128
First-card Unlock	Support
Remote Verification	Support
Peripheral Card Reader	1 RS-485 and 1 Wiegand
Multi-card Unlock	Support
Real-time Surveillance	Support
Web Configuration	Support
Card Reading Distance	1 cm-4 cm
Face Recognition Range	Face-camera distance: 0.3 m-2.0 m Human height: 0.9 m-2.4 m
Face Verification Accuracy	$\geq 99.5\%$
Face Recognition Speed	0.2s

Capacity

User Amount	100, 000
Face Amount	100, 000
Card Amount	100, 000
Password Amount	100, 000
Storage Record Amount	100, 000

Port

RS-485	1
RS-232	1
Wiegand	1 (26, 34, 66)
USB	1 USB2.0 port

Network	1 100M Ethernet port
Alarm Input	2
Alarm Output	2
Alarm Linkage	Support
Unlock Button	1
Door Status Detection	1
Door Lock Control	1

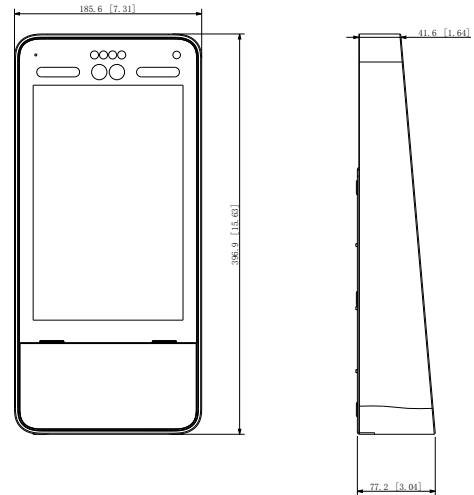
Alarm

Anti-passback	Support
Tamper	Support
Duress	Support
Door Sensor Timeout	Support
Illegal Intrusion	Support
Illegal Card Exceeding Threshold Alarm	Support

General

Power Supply	DC 12V 2A
Ingress Protection	IP65 (Apply silica gel to gaps between the device and the wall. Liquid sodium silicate is recommended. For details, see the quick start guide.)
Power Consumption	≤24W
Dimensions	396.9mm×185.6mm×77.2mm
Operating Temperature	-30°C to +60°C
Operating Humidity	5%RH–95%RH
Working Environment	Indoor and outdoor
Gross Weight	4.32 kg
Installation	Wall mount
Certifications	CE/FCC

Dimensions (mm[inch])



Application

