



INSTRUCTIONS

Battery low voltage protection door dedicated power supply

Thank you very much for your purchase of this product

⚠ Safety tips

Thank you very much for you buy this product, in order to correctly use this product, please read the instruction manual carefully before using.

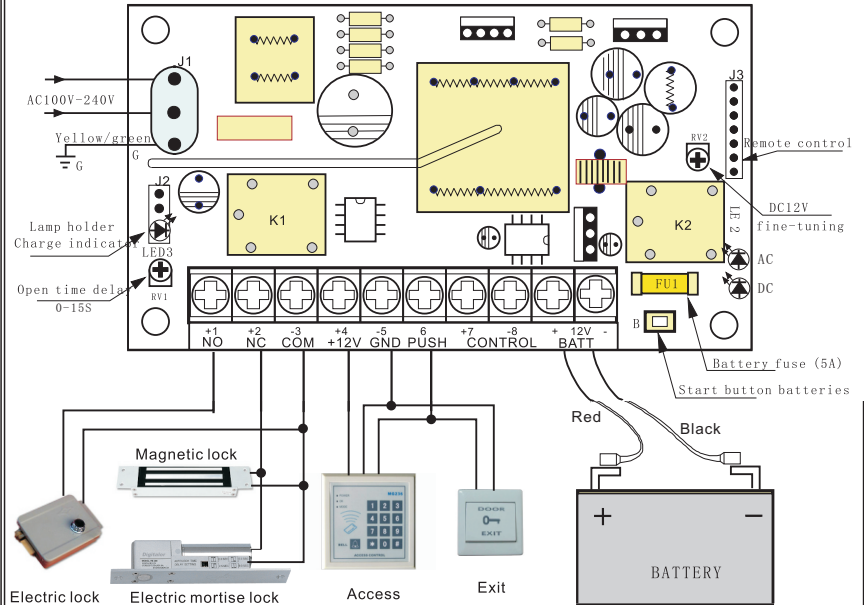
Product introduction

This product after years of engineering installation and customer feedback. Repeatedly was improved, and using the latest international technology, and the output stability, high precision, small volume, light weight, elegant appearance, unique design. And get it now allows you to use at ease of access control power supply.

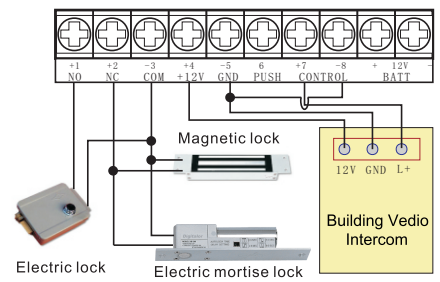
Functions and features

1. The input voltage AC100 - 260 V frequency 50-60 HZ;
 2. Good isolation, high and low voltage 1500 V AC / 1 minutes without breakdown.
 3. The output voltage adjustable DC11.5 V - 13.5 V (suits Wiring is far, to make the electric lock does not work, At this time can put the high voltage adjustable); Output current: 5 A;
 4. The ripple voltage Upp 50 mv or less;
 5. A short circuit (flow) protection (output circuit is short circuit will automatically disconnect, When troubleshooting will automatically return to normal.) Overheating, over-voltage protection;
 6. battery reverse polarity protection (battery connection only burns fuse and will not damage power supply)
 7. power supply using MCU control, PWM step-down mode, is designed for 12V lead-acid battery charging management automatically, with a trickle of (30mA), constant current (1A), (14.8V) and float charging (13.6V) mode. In the floating charge state, the new charging cycle is automatically started if the battery voltage drops to 84% of the overcharge voltage. When the input power drops or the input voltage is lower than the battery voltage, it automatically enters the low power sleep mode, inputs low voltage latch, battery end overvoltage protection and charging status indication. 12V/7AH batteries are full for 8 hours.
 8. battery over discharge protection (when the battery is in use, the battery voltage is lower than 9.2V, automatically disconnect the battery, in order to protect access control machine data loss and quick charging when calling.)
 9. city power and battery switching time is 10ms, is the real uninterrupted power supply.
 - 10., with battery starter button B (pictured), easy to install and test.
 - 11., remote control seat, the opening time is 0-15S, easy to install remote control door. The lock output. NC, NO, can be compatible with any lock.
 12. CONTROL is a set of active signal inputs (DC5-24V) that are internally isolated and can be simultaneously connected Multi door access controller and building intercom.
 13. weight: 1.0KG volume: 210*180*70MM
0.3KG volume 130*72*40MM
- Any access control device, as long as it has it, all problems can be solved
 Can also serve as other equipment power supply, such as: alarm, monitoring and so on.

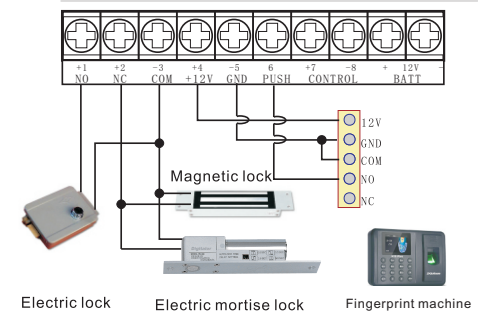
1. The wiring diagram



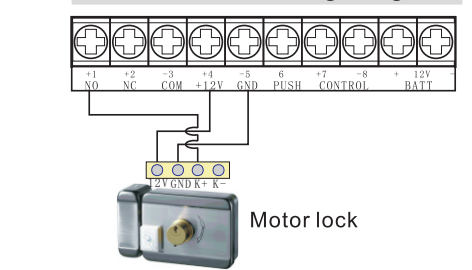
2. The communication wiring diagram



3. The fingerprint machine wiring diagram



4. Mute lock wiring diagram



⚠ Matters needing attention

- This product cannot be installed in the dampness or rain can pour into place, should be in a ventilated and dry place.
- Two red line for AC100-260 - v input, the input voltage can't beyond this range, yellow green line must be reliable grounding.
- Organic glass live parts for high pressure parts, non-professional personnel shall not be opened without authorization. Wire shall not be arbitrarily or with a screwdriver to touch component parts. More cannot be charged maintenance.
- When installing the battery should identify the corresponding fork "red and black" line.
- Non-artificial factors, equipment failure, since the date of the factory warranty for one year.