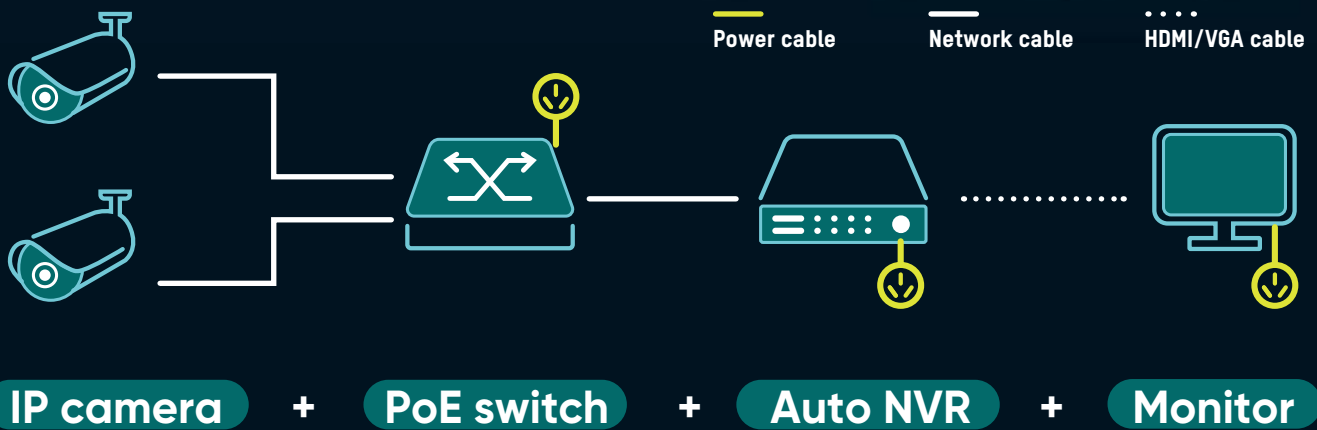


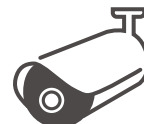
ENJOY THE EASE OF IP

Flexible product combination



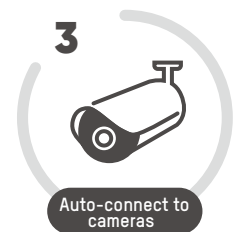
Various product options

Many options to Choose from, enabling you to update your current system in a budget-friendly way



Easy system configuration

Only three steps to get live view with no need to configure your IP



300 m long-distance transmission

Long distance transmission of up to 300 m made possible, saving optic fiber devices and optical fibers



300 m



DS-2CD1023G0E-I



- H.265+
- IP67
- 3D DNR
- DWDR
- 30 m EXIR

DS-2CD1323G0E-I



- H.265+
- IP67
- 3D DNR
- DWDR
- 30 m EXIR

DS-2CD1123G0E-I



- H.265+
- IP67, IK 10
- 3D DNR
- DWDR
- 30 m IR

DS-3E0105P-E(B)



- L2, Unmanaged
- 4 10/100 M RJ45 PoE ports
- 1 10/100 M RJ45 uplink port
- 802.3 af/at, PoE power budget 60 W
- Max. 300 m long-distance transmission

DS-3E0109P-E(C)



- L2, Unmanaged
- 8 10/100M RJ45 PoE ports
- 1 10/100M RJ45 uplink port
- 802.3 af/at, PoE power budget 115 W
- Max. 300 m long-distance transmission

DS-3E0318P-E(B)



- L2, Unmanaged
- 16 10/100/1000M RJ45 PoE ports
- 2 Gigabit combo port
- 802.3 af/at, PoE power budget 230 W
- "Extend" Mode: ports 9-16 support up to 300 m long-distance transmission

DS-7616NI-K1(B)



- 16-ch
- Incoming bandwidth: 160 Mbps
- 1-ch @ 4K / 4-ch @ 1080p decoding
- HDMI/VGA independent video outputs

DS-7608NI-K1(B)



- 8-ch
- Incoming bandwidth: 80 Mbps
- 1-ch @ 4K / 4-ch @ 1080p decoding
- HDMI/VGA independent video outputs

DS-7604NI-K1(B)



- 4-ch
- Max 40 Mbps incoming bandwidth
- 1-ch @ 4K / 4-ch @ 1080p decoding
- HDMI/VGA simultaneous video output

DS-D5022FN



- 21.5" 1080p
- HDMI/VGA input
- View angle:178°/178°
- Plastic casing
- VESA
- Base bracket included

DS-D5024FN



- 23.8" 1080p
- HDMI/VGA input
- view angle:178°/178°
- Plastic casing
- VESA
- Base bracket included
- 7*24 h

