

DH-PFM300

DC12V2A Power Adapter



Features

- Easy installation and wall mount, structural water-proof;
- Support $-30^{\circ}\text{C} \sim +70^{\circ}\text{C}$ wide-range temperature operation, and the full load efficiency of the power supply can be up to 100% at these temperatures;
- With junction function for camera wiring or can place video balun with HDCVI/AHD/TVI/CVBS cameras;
- Made of PC environmental protection material, which meets "V0" fire protection;
- Accurate over current, voltage load protection.

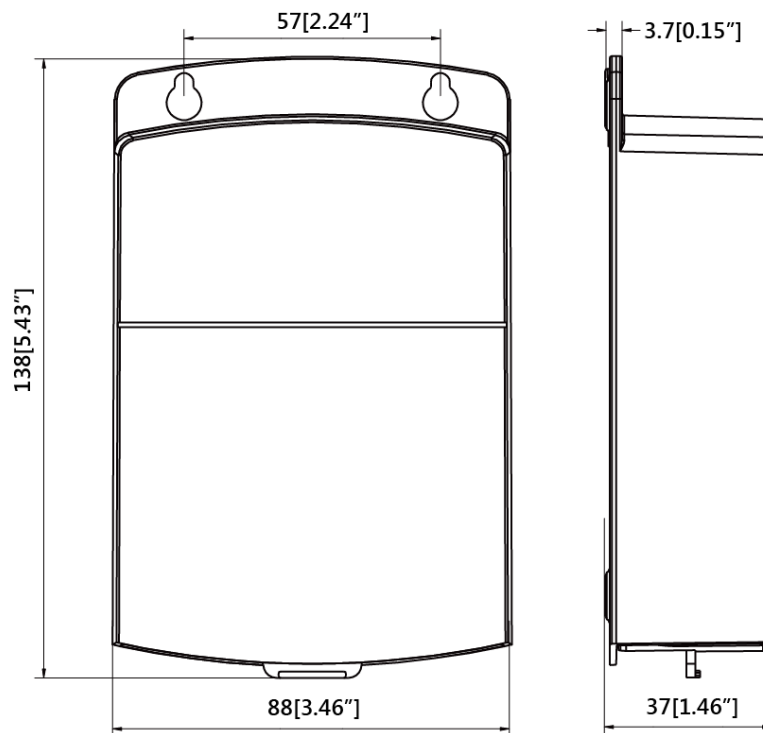
Technical Specifications

Model	DH-PFM300
Electrical Specification	
Rated input	AC180~264V, 50/60Hz, 0.6A
Efficiency	82%
no-load power consumption	<0.5W
Output voltage	DC12V (±5%)
Output current	2A (±2%)
Protection/Environmental	
Protection	Accurate over current, voltage load protection
	"V0" fire protection
Working temperature	-30°C ~ +70°C (-22°F ~ +158°F)
Working humidity	<90% RH
Physical Properties	
Weight	160g(0.35lb)
Dimension(LxWxH)	88mmx37mmx138mm (3.46"x1.46"x5.43")
Installation	Wall mount
Color	Grey
Input	Palisade terminal
Output	DC output wire 60mm (interface: $\phi 5.5 \times \phi 2.1$)
Safety Standards	
Certification	CE

Order Information

Type	Part Number	Description
Power series	DH-PFM300	DC12V 2A power adapter(CE)
	DH-PFM320D-015	DC12V 1.5A power adapter(CE/FCC)
	DH-PFM321D-EN	DC12V 1A power adapter(CE/FCC/UL-VI) for cameras
	DH-PFM321D-BS	
	DH-PFM321D-US	
	DH-PFM320D-EN	DC12V 2A power adapter(CE/FCC/UL-VI) for cameras
	DH-PFM320D-BS	
	DH-PFM320D-US	

Dimensions (mm/inch)



Application

