

DIGITUS®

Professional

DIGITUS® Category 6, Keystone Module – unshielded



✓ 15 Year Product Warranty

✓ 25 Year System Warranty

✓ 3P Certificate

✓ Category 6 Compliant, ISO/IEC 11801,
DIN EN 50173, DIN EN 50288-5-1

Abstract

DIGITUS® CAT 6 Keystone Jack, unshielded, Color black

Features

- 25 Year System Warranty
- Category 6 Compliant, ISO/IEC 11801, DIN EN 50173, DIN EN 50288-5-1
- 3P Certified
- Supports Gigabit Ethernet
- 250MHz

Product Overview

The DIGITUS® unshielded Keystone Jack needs to be installed via LSA termination. A choice of compatible Patch Panel frames in both black and grey are available for this jack. Moreover the jack is compatible to flush and surface mounted shutters. The socket itself is housed in high quality plastic cast housing. The jack assures high performance requirements of the DIN EN & ISO component standards.

Part Number Information Modular Patch Panel

DN-93601 DIGITUS® CAT 6 Keystone Jack, unshielded, RJ45 to LSA, Color black

DIGITUS® Category 6, Keystone Module – unshielded

Performance Overview

The DIGITUS® Category 6 unshielded Keystone Jack is designed and manufactured to comply with the requirements of Category 6 Class E specifications as defined in DIN EN 50173 and ISO 11801-2 standards. A range of performance characteristics are tested up to 250MHz including NEXZ and ELFEXT as well as return loss. The performance meets the required standards, the DIGITUS® Keystone Jacks are made to fulfill the high demand of applications. Moreover the Jack fits in all DIGITUS® modular patch panel and all wall outlets.

Typical Applications

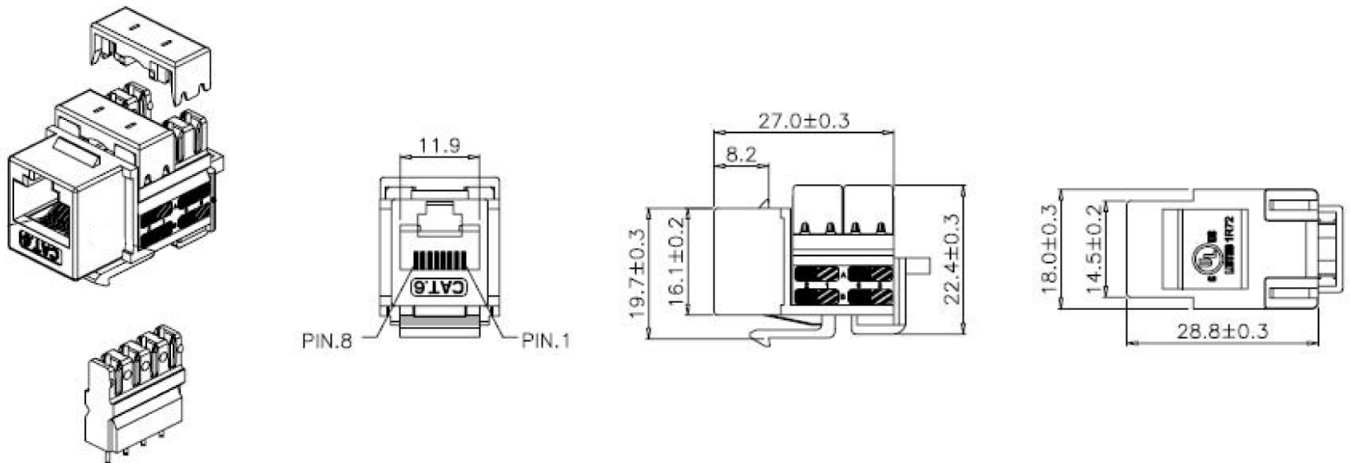
- 10Base-T Ethernet
- 100BASE-TX Fast Ethernet
- 1000BASE-T Gigabit Ethernet
- PoE & PoE Plus Applications
- 250MHz

Performance and Specification Table

Specification	Category 6 2nd Edition ISO/IEC 11801 EN 50173-1:2007 ANSI/TIA/EIA-568-B.2-1
Wiring Specification	T568A & T568B
Dimensions	18.0mm wide x 22.4mm high x 28.8mm deep
RJ45 Jack	Min Life 750 insertions
RJ45 Finish	50µin (microinch) minimum Gold plate in localised area (Gold flash over remainder) over 100 µin (microinch) Nickel undercoat contact pins
RJ45 Material	Phosphor Bronze with Nickel plated
IDC Contacts	Suitable for 110 compatible tooling & Krone® punch down tools
Keystone Jack Housing	ABS High-Impact UL94V-0 Thermoplastic
IDC Plastic	Polycarbonate Resin High-Impact UL94V-0 Thermoplastic
Contact Compatibility	AWG 22 to 26 stranded and solid wire
Operating Temperature	-20 to +60 °C

DIGITUS® Category 6, Keystone Module – unshielded

Technical Drawing



Transmission and Electrical Specifications

Transmission and Electrical Specifications				
Freq. (MHz)	Insertion Loss (dB) Max	NEXT (dB) Min	FEXT (dB) Min	RL (dB) Min
1.00	0.1	85.0	84.0	53.0
4.00	0.1	81.0	75.0	54.0
8.00	0.1	78.0	70.0	56.0
10.00	0.1	77.0	68.0	57.0
16.00	0.1	73.0	58.0	58.0
25.00	0.1	70.0	60.1	60.0
31.25	0.1	68.0	59.0	57.0
62.50	0.2	64.0	53.0	44.0
100.00	0.2	60.0	49.0	34.0
200.00	0.3	55.0	43.0	23.0
250.00	0.3	52.0	41.0	20.0

System Warranty

The DIGITUS® System Warranty provides 25-year product and applications assurance of compliance with the industry performance standard appropriate to the class of cabling installed. The System Warranty will be applied by a certified DIGITUS® Partner who has installed the said system.

