

DS-2CD2123G0-I

2 MP Outdoor IR Fixed Dome Camera



- 1/2.8" (2 MP) Progressive Scan CMOS
- Up to 1920 x 1080 Resolution
- 2.8 mm and 4 mm Fixed Lens Options
- EXIR 2.0 Range Up to 100 ft (30 m)
- H.265+/H.265/H.264+/H.264
- 120dB WDR
- IP67, IK10 Protection
- Durable Metal Housing
- 12 VDC \pm 25% (PoE, 802.3af), maximum 7.5 W

The Hikvision DS-2CD2123G0-I Outdoor IR Fixed Dome Camera provides high definition network output. It supports H.265+ video compression technology, which assures savings in bandwidth and storage.

The camera has an EXIR 2.0 range of up to 100 feet (30 meters).

The 2.8 mm and 4 mm lens options are optimized for viewing angles that fit any situation.

Available models:

DS-2CD2123G0-I:
2.8 mm and 4 mm lenses



Specifications

DS-2CD212360-I

Camera

Image Sensor	1/2.8" [2 MP] progressive scan CMOS
Minimum Illumination	Color: 0.028 Lux @ (f/2.0, AGC on)
Shutter Speed	1/3 s to 1/100,000 s
Slow Shutter	Yes
Auto-Iris	No
Day /Night	IR cut filter
Digital Noise Reduction	3D DNR
WDR	120dB
Angle Adjustment (Bracket)	Pan: 0° to 360°, tilt: 0° to 75°, rotation: 0° to 360°

Lens

Focal Length	2.8 mm and 4 mm fixed lens options
Aperture	f/2.0
Focus	Manual
FOV	2.8 mm, horizontal FOV 114°, vertical FOV 62°, diagonal FOV 135° 4 mm, horizontal FOV 86°, vertical FOV 46°, diagonal FOV 102°
Lens Mount	M12

IR

IR Range	Up to 100 ft (30 m)
Wavelength	850 nm

Compression Standard

Video Compression	Main stream: H.265+/H.265/H.264+/H.264; sub-stream: H.265+/H.265/H.264+/H.264/MJPEG
H.264 Type	Main profile/high profile
H.264+	Main stream and sub-stream support
H.265 Type	Main profile
H.265+	Main stream and sub-stream support
Video Bit Rate	256 Kbps to 16 Mbps
Audio Compression	6.711/6.722.1/6.726/MP2L2/PCM
Audio Bit Rate	64 kbps [6.711]/16 kbps [6.722.1]/16 kbps [6.726]/32 to 192 kbps [MP2L2]

Smart Features

Behavior Analysis	Line crossing detection, intrusion detection
Face Detection	Yes
Region of Interest	One fixed region for main stream and sub-stream

Image

Maximum Resolution	1920 × 1080
Main Stream	30 fps [1920 × 1080, 1280 × 960, 1280 × 720]
Sub-Stream	30 fps [640 × 480, 640 × 360, 320 × 240]
Third Stream	30 fps [1920 × 1080, 1280 × 720, 640 × 360, 352 × 240]
Image Enhancement	BLC, 3D DNR
Image Setting	Rotate mode, saturation, brightness, contrast, sharpness adjustable by client software or web browser
Target Cropping	No
Day/Night Switch	Day/night/auto/schedule

Network

Network Storage	Supports microSD/SDHC/SDXC card (128 GB), local storage, NAS (NFS,SMB/CIFS), and ANR
Alarm Trigger	Motion detection, video tampering, network disconnected, IP address conflict, illegal login, HDD full, HDD error
Protocols	TCP/IP, ICMP, HTTP, HTTPS, FTP, DHCP, DNS, DDNS, RTP, RTSP, RTCP, PPPoE, NTP, UPnP™, SMTP, SNMP, IGMP, 802.1X, QoS, IPv6, Bonjour
General Function	One-key reset, anti-flicker, three streams, heartbeat, mirror, password protection, privacy mask, watermark, IP address filter
API	ONVIF (PROFILE S, PROFILE G), ISAPI
Simultaneous Live View	Up to 6 channels
User / Host	Up to 32 users; three levels: administrator, operator, and user
Client	iVMS-4200, Hik-Connect
Web Browser	IE 8+, Chrome 31 to 44, Firefox 30.0 to 51, Safari 8.0+

Interface

Communication Interface	1-port RJ-45 10M/100M self-adaptive Ethernet port
On-board storage	Built-in microSD/SDHC/SDXC slot, up to 128 GB
SVC	H.264 and H.265 encoding
Reset Button	Yes

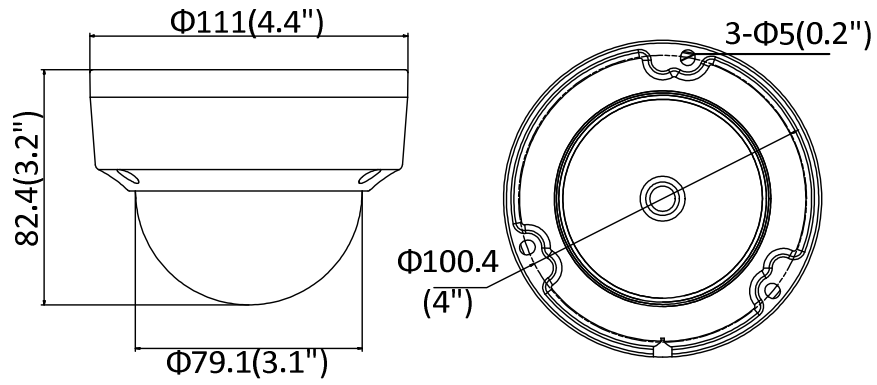
General

Operating Conditions	-22° F to 140° F (-30° C to 60° C); humidity: 95% or less (non-condensing)
Power Supply	12 VDC ± 25%, Ø 5.5 mm coaxial power plug; PoE (802.3af, class 3)
Power Consumption and Current	12 VDC, 0.5 A, maximum: 6 W; PoE: (802.3af, 37 V to 57 V), 0.2 A to 0.1 A, maximum: 7.5 W
Protection Level	IP67, IK10, TVS 2000V Lightning Protection, Surge Protection and Voltage Transient Protection
Material	Metal
Dimensions	Camera: Ø 4.4" × 3.2" (Ø 111 × 82.4 mm)
Weight	Camera: 1.30 lbs (610 g)

Accessories

							
WML + PC110 Wall Mount Long + 110 mm Pendant Cap	PM Pole Mount	CM Corner Mount	AB110 Angled Base	CB110 Conduit Base	SRS Sun Rain Shield	CPM + PC110 Ceiling Pendant Mount + 110 mm Pendant Cap	WML + PC110 Wall Mount Long + 110 mm Pendant Cap (Black)

Dimensions



Unit: mm (inch)